

MERITOR® AIR SPRINGS



MERITOR®



IDEAS DRIVING RESULTS

COMPREHENSIVE DESIGN & SOLID CONSTRUCTION ENSURES
RESILIENCE AND LONG LIFE.



IMPORTANT INFORMATION

AFTERMARKET PARTS WARRANTY

We warrant all new parts for one year from date of shipment to the buyer against defective material or workmanship (but not against damage caused by accident, abuse or improper installation, maintenance or repair) when such parts are used on vehicles the specifications of which have been approved by our Engineering Department.

As the exclusive remedy under this warranty, we will, at our option, repair or replace such parts free of charge, or take back the nonconforming parts and refund the monies paid by buyer for such parts, if found on examination by us to be nonconforming and if necessary return charges are prepaid.

If it is necessary to return any parts under this warranty, buyer agrees not to make any deduction on account thereof from remittances on current accounts while claims are in the process of disposition. Any expense incurred without our consent for repairs or replacement will not be allowed.

THIS WARRANTY IS EXPRESSLY IN LIEU OF ALL OTHER WARRANTIES OR CONDITIONS, EXPRESS, IMPLIED OR STATUTORY, INCLUDING ANY IMPLIED WARRANTY OF MERCHANTABILITY OR FITNESS FOR PARTICULAR PURPOSE. IN NO EVENT SHALL SELLER BE LIABLE FOR INCIDENTAL OR CONSEQUENTIAL DAMAGES OF ANY NATURE.

Only genuine Meritor replacement parts are covered by this aftermarket parts warranty.

DISCLAIMER

Information contained in this publication is in effect at the time the publication was approved for printing and is subject to change without notice or liability. Meritor, reserves the right to revise the information presented or discontinue the production of parts described at any time.

Manufacturers names, part numbers, symbols or other references appearing in this catalogue are used for reference for order of goods only. Images are also for reference only and not to scale.

TRADEMARK

The designated trademarks are registered marks of their respective owners and Meritor and its affiliates are not commercially connected, affiliated, or associated with any of the owners of such marks. The Meritor products presented herein are not endorsed or authorised by any of the trademark owners.

COPYRIGHT

All rights reserved. The Meritor or any part or layout of the catalogue cannot be printed or reproduced without written authorisation from Meritor.



Found an error?

If you detect any errors in this catalogue, please let us know. We want to ensure the information we publish is as accurate as possible. We appreciate your help in making this happen.

Please forward your enquiries to:

Email: meritoraftermarketau@meritor.com

Phone: (03) 8353 6050



TABLE OF CONTENTS

MERITOR® AIR SPRINGS

Important InformationPrefix A

Glossary..... Prefix B

Bus Applications 1

Cab Applications 9

Trailer Applications..... 13

Truck Applications 21

Air Spring Diagram Guide..... 35






Cross References:

 Competitor to Meritor 61

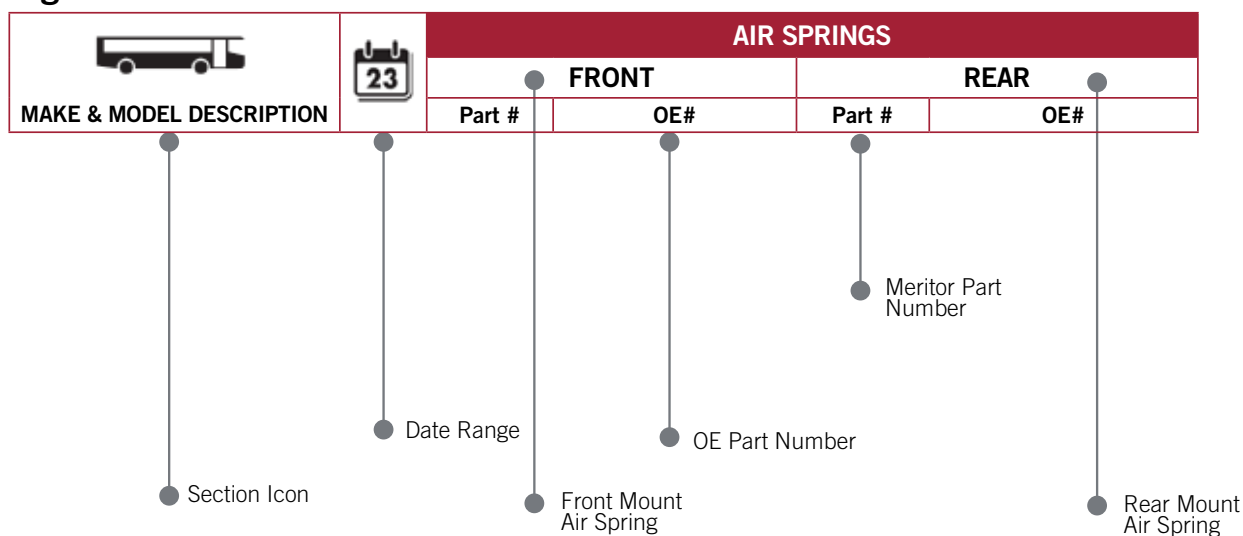
 Manufacturer to Meritor 67

CATALOGUE DETAILS

Section Icons

SYMBOL	DESCRIPTION	SYMBOL	DESCRIPTION
	Bus		Truck
	Cab		Cross Reference
	Trailer		

Page Header Overview





IDEAS DRIVING RESULTS

MERITORPARTSONLINE

**GLOBAL PARTS
ACCESS IS JUST
ONE CLICK AWAY.**



Your NEW, one stop shop for Meritor parts has arrived.

Meritor is pleased to announce MeritorPartsOnline, the new comprehensive global website to showcase Meritor®, Euclid®, and Meritor® parts, product catalogues & flyers and in-depth technical information.

For all the information you need on Meritor parts visit www.meritorpartsonline.com, or contact Meritor Customer Service on 03 8353 6050.



MERITOR



BUS

Section 1



CAB

Section 2



TRAILER

Section 3



TRUCK

Section 4



DIAGRAMS

Section 5



CROSS REFERENCE

Section 6



BUS

ANSAIR	1
AUSTRAL DENNING	1
BOVA	1
CSEPEL	1
DENNIS	1
DOMINO	1
HINO	1
IKARUS	1
INTERNATIONAL	1
KASSBOHRER	1
LEYLAND / DAF	2
MAN	2-3
MCA	3
MERCEDES	3
RENAULT	3
SCANIA	4
SETRA	5
VOLVO	5



MAKE & MODEL DESCRIPTION



AIR SPRINGS

FRONT

REAR

Part #

OE#

Part #

OE#

BUS APPLICATIONS

ANSAIR

MLF8082

MLF8004

AUSTRAL DENNING

All Star Aspire

90-

MLF8004

MLF8004

HRP High Deck & Double Deck

88-

MLF8004

MLF8004
Incl. Tag Axle

Highlander

92-

MLF8004

MLF8004
Incl. Tag Axle

Tourmaster

78-88

MLF8004

MLF8004
Incl. Tag Axle

BOVA

Futura

MLF8155

B510040

MLF8155

B510040

CSEPEL

800 Series

95-

MLF8155

MLF8155

844-19, 844-31, 854-07

MLF8155

MLF8155

DENNIS

Dart SLF

MLF8010

656300/2

MLF8004

650292/8

Javelin (CX290 NZ)

00-

MLF8010

656300/2

MLF8007

656289/2

MLF8009

Tag Axle

611896/12

Superdart

99-

MLF8004

650292/8

MLF8004

650292/8

Trident

(2 Axle & 3 Axle Double Decker)

02-

MLF8007

656289/2

MLF8007

656289/2

DOMINO

MLF8004

1F21

MLF8004

1F21

HINO

RK176 (NZ), RM197

MLF8004

MLF8004

IKARUS (Cummins)

MLF8155

B510040

MLF8155

B510040

INTERNATIONAL

16.21, 16.25

MAF9039

326474R91

MAF9039

326474R91

17.210 (Delta) with rear Neway
AD123-6 Suspension

MAF9039

326474R91

3264982R1

17.250 (Delta) with rear Neway
AD123-6 Suspension

MAF9039

326474R91

3264982R1

KASSBOHRER

Setra

MLF8000

4.771.465.000C

MLF8001
Incl. Tag axle

4.771.464.000C



**AIR SPRINGS**

MAKE & MODEL DESCRIPTION

FRONT**REAR**

Part #

OE#

Part #

OE#

BUS APPLICATIONS**LEYLAND / DAF**

National	72-73	MLF8008	36116983 AAU 2544 IC 3308		
Olympian & Tiger	80-	MLF8009	3116354 AAU 2542 PNP 30008	MLF8007 Incl. Tag axle	36116983 AAU 2544 IC 3308

MAN

8.160F	97-			MLF8013	81.43601.0132
10.136				MLF9009	81.43601.0053
10.150, 10.155HOCL	95-	MLF9009	81.43601.0053	MLF9009	81.43601.0053
				MLF8013	81.43601.0065 81.43601.0132
10.160	97-			MLF8013	81.43601.0132
10.180	95-	MLF9009	81.43601.0053	MLF9009	81.43601.0053
10.220 FOCL-R				MLF9009	81.43601.0053
11.190 HOCL, 11.220		MLF9009	81.43601.0053	MLF9009	81.43601.0053
12.180		MLF9009	81.43601.0053	MLF9009	81.43601.0053
14.190		MLF9009	81.43601.0053	MLF8013	81.43601.0065 81.43601.0067 81.43601.0099
				MLF8084	81.43601.0066 81.43601.0104 81.43601.0106
14.230 HOCLI	94-	MLF9009	81.43601.0053	MLF9009	81.43601.0053
16.230 HOCLI	94-	MLF9009	81.43601.0053	MLF9009	81.43601.0065 81.43601.0067 81.43601.0099
16.240 HOCLN		MLF8082	81.43601.0039 81.43601.0040	MLF8082 Incl tag axle	81.43601.0039 81.43601.0040
				MLF8004 Incl tag axle	81.43601.0033 81.43601.0036 81.43601.0037
16.242 (IFS)	95-			MLF8004	81.43601.0033
16.280 HOCLN, 18.232 HOCLN,		MLF8082	81.43601.0039 81.43601.0040	MLF8082 Incl tag axle	81.43601.0039 81.43601.0040
		MLF8004	81.43601.0033 81.43601.0036 81.43601.0037	MLF8004 Incl tag axle	81.43601.0033 81.43601.0036 81.43601.0037
18.310 HOCL, 18.370HOCLR 18.350 HOCLN,	95- 99-	MLF8084	81.43601.0066 81.43601.0068 81.43601.0108	MLF8084	81.43601.0066 81.43601.0068 81.43601.0108





MAKE & MODEL DESCRIPTION



AIR SPRINGS

FRONT

REAR

Part #

OE#

Part #

OE#

BUS APPLICATIONS

MAN

22.280 HOCLR		MLF8082	81.43601.0039 81.43601.0040	MLF8004 Incl Tag Axle	81.43601.0033 81.43601.0036 81.43601.0037
22.372 HOCLN (Hi Deck)		MLF8082	81.43601.0039 81.43601.0040	MLF8082 Incl Tag Axle	81.43601.0039 81.43601.0040
		MLF8004	81.43601.0033 81.43601.0036 81.43601.0037	MLF8004 Incl Tag Axle	81.43601.0033 81.43601.0036 81.43601.0037 81.43601.0037
24.420 HOCLN (IFS)	95-	MLF8158	81.43601.0075	MLF8084	81.43601.0066
NL202, NL202 H		MLF8085	81.43601.0095	MLF8085	81.43601.0095
				MLF8084 Tag Axle	81.43601.0066

MCA

All Models - Bellows only		MLF8004	IF21	MLF8004	IF21
---------------------------	--	---------	------	---------	------

MERCEDES

O 302, O 303, O 305, O 307, O 317(NZ only)		MLF8001	000 327 0101 305 324 0308 364 327 7001	MLF8001	000 327 0101 305 324 0308 364 327 7001
O 400 (Chss: 664 206)		MLF8001	000 327 0101 364 327 7001	MLF8001	000 327 0101 364 327 7001
O 404 (2 & 3 Axle Coach)		MLF8090	356 327 0001	MLF8087 Incl.Tag Axle	382 327 7101
O 405 (Brazil) (Ch357 001/005/011) O 405NH (CNG Low Floor)		MLF8001	000 327 0101 305 324 0308 364 327 7001	MLF8001	000 327 0101 364 327 7001
OH 1425		MLF8001	000 327 0101 364 327 7001	MLF8001	000 327 0101 364 327 7001
OH 1621L, OH 1630L		MLF8001	000 327 0101 364 327 7001	MLF8003	307.328.0101
OH 1421L		MLF8001	000 327 0101 364 327 7001	MLF8087	

RENAULT

PR100, PR180		MLF8148	5000785792 5000805284	MLF8148	5000785792 5000805284
PR100.3				MLF8148	5000785792 5000805284





MAKE & MODEL DESCRIPTION



AIR SPRINGS

FRONT

REAR

Part #

OE#

Part #

OE#

BUS APPLICATIONS

SCANIA

K 82	MLF8007	411622 411623	MLF8010 Incl Tag Axle	411627 411627-3
			MLF8009 Incl Tag Axle	434932-0
K 92	MLF8007	411622 411623	MLF8010 Incl Tag Axle	411627 411627-3
	MLF8008	434094 434932	MLF8009 Incl Tag Axle	434932-0
K 93 (CRB)	MLF8007	411622 411623	MLF8010	411627 411627-3
	MLF8008	434094 434932	MLF8009	434932-0
K 94 IB (4x2) Incl School bus & Coach Chassis	MLF8141	1440301 (Locators 135mm apart)	MLF8144	1440304
K 94 UB (4x2, 6x4) Incl School bus & Coach Chassis	MLF8141	1440301 (Locators 135mm apart)	MLF8144	1440304
K112	MLF8008	411622 411623	MLF8010 (Rear incl.TAG Axle)	411627 411627-3
			MLF8009 (Rear incl.TAG Axle)	434932-0
K 113 (CRB, T & TRB)	MLF8008	411622 411623	MLF8009	434932-0
			MLF8010 (Tag Axle)	411627
K 124 EB, IB (6x2) incl 3 axle Coach K 124 IB (8x2)	MLF8141	1440301 (Locators 135mm apart)	MLF8144	1440304
			MLF8144 Tag Axle	1440307
L 94 IB, L94 UB (4X2, 6X2) incl Low floor bus	MLF8141	1440301 (Locators 135mm apart)	MLF8144	1440304
	MLF8143	1440305	MLF8144 Tag Axle	1440307
L 113 (CLD, CRB, CRL)	MLF8007	411622 411623	MLF8009	434932
			MLF8010	411627
N 112	MLF8007	411622 411623	MLF8010 (Rear incl.TAG Axle)	411627
N 113	MLF8007	411622	MLF8009	434932
			MLF8010	411627





MAKE & MODEL DESCRIPTION



AIR SPRINGS

FRONT

REAR

Part #

OE#

Part #

OE#

BUS APPLICATIONS

SETRA

		MLF8000	4.771.465.000C	MLF8001 Drive axle	4.771.464.000C
				MLF8001 Tag axle	4.771.464.000C

VOLVO

B6, B6BLE		MLF8082	1593842	MLF8001	1134445
B10B (IFS)		MLF8011	3027272	MLF8001 Incl. tag axle	1134445
B10BLE (From Chassis No CH2697)		MLF8011	3027272	MLF8001	1134445
B10M MK1 & Mk2		MLF8000	1137888	MLF8001 Incl. tag axle	1134445
B10M MK3 (Frm Chss: 20001~45000)		MLF8086	3027271	MLF8001 Incl. tag axle	1134445
				MLF8011 Incl. tag axle	3027272
B10M MK4 (Frm Chss: 45001 ~)		MLF8086	3027271	MLF8001 Incl. tag axle	1134445
		MLF8011	3027272		
B10R		MLF8001	1134445	MLF8003	1134446
B12		MLF8011	3027272	MLF8001	1134445
		MLF8170	20 582 214	MLF8170	20 582 214





CAB

FORD	9
FREIGHTLINER	9
INTERNATIONAL	9
KENWORTH	9
MACK	9
SCANIA	10
VOLVO	10



MAKE & MODEL DESCRIPTION



AIR SPRINGS

FRONT

REAR

Part #

OE#

Part #

OE#

CAB APPLICATIONS

FORD (Also refer Sterling)

Ford Link Cabmate Suspension

Link Cabmate Model FN89				FS7046	1102-0022
-------------------------	--	--	--	--------	-----------

FREIGHTLINER

Argosy

	-02			MAF7206	18-29919-000
				MLF7304	

Century Class & Columbia (For Link Suspension - refer Freightliner Link Cabmate)

	-02			MAF7206	18-29919-000
				MLF7304	
				MAF7215	18-40977-000
				FS7201	18-45068-000
				MAF7410	16-11378-000

Freightliner Link Cabmate Suspension

				FS7046	1102-0022
				FS7064	1102-0074
				FS7001	1102-0023

INTERNATIONAL

S & T Line - 4700 Series				FS7031	3261050R1
--------------------------	--	--	--	--------	-----------

International Link Cabmate Suspension

Link Cabmate Model IHC83				FS7046	1102-0022
--------------------------	--	--	--	--------	-----------

KENWORTH

Link Cabmate Air Springs

KWB689C KIT				FS7031	1102-0023
KWKIT03 KIT				FS7064	1102-0074

MACK

R600 & FIR700				FS7031	227QS33
---------------	--	--	--	--------	---------





MAKE & MODEL DESCRIPTION



AIR SPRINGS

FRONT

REAR

Part #

OE#

Part #

OE#

CAB APPLICATIONS

SCANIA

93 Series

Complete unit with integrated dampers

MLF5101

1117320
1331620
1348117

MLF5101

1117320
1331620
1348117

94 Series

Complete unit with integrated damper to replace MONROE Made OE

MLF5102

1381919 + 1381904
1381919 + 1435859
1476415 + 1381904
1476415 + 1397400

MLF5201

1381919 + 1381906
1381919 + 1382829
1381919 + 1397392
1381919 + 1397398

113 Series

Complete unit with integrated damper

MLF5101

1117320
1331620
1348117

MLF5101

1117320
1331620
1348117

124 Series

Complete unit with integrated damper to replace MONROE Made OE

MLF5102

1381919 + 1381904
1381919 + 1435859
1476415 + 1381904

MLF5201

1381919 + 1381906
1381919 + 1382829
1381919 + 1397392

143 Series

Complete unit with integrated damper

MLF5101

1117320
1331620
1348117

MLF5101

1117320
1331620
1348117

144, 164 Series

Complete unit with integrated damper to replace MONROE Made OE

MLF5102

1381919 + 1381904
1381919 + 1435859
1476415 + 1381904

MLF5201

1381919 + 1381906
1381919 + 1382829
1381919 + 1397392

P & R Series

Complete unit with integrated damper to replace MONROE Made OE

MLF5102

1381919 + 1381904
1381919 + 1435859
1476415 + 1381904
1476415 + 1397400
1476415 + 1435859

VOLVO

FH Series

Models with intergrated Air Spring & Damper - See Note

FH12, FH16
(Air Spring & Damper combined)

MLF5203

1629714
1629719
3172984

MLF5200

1076855
20427897

FM Series

Models with intergrated Air Spring & Damper - See Note

MLF5203

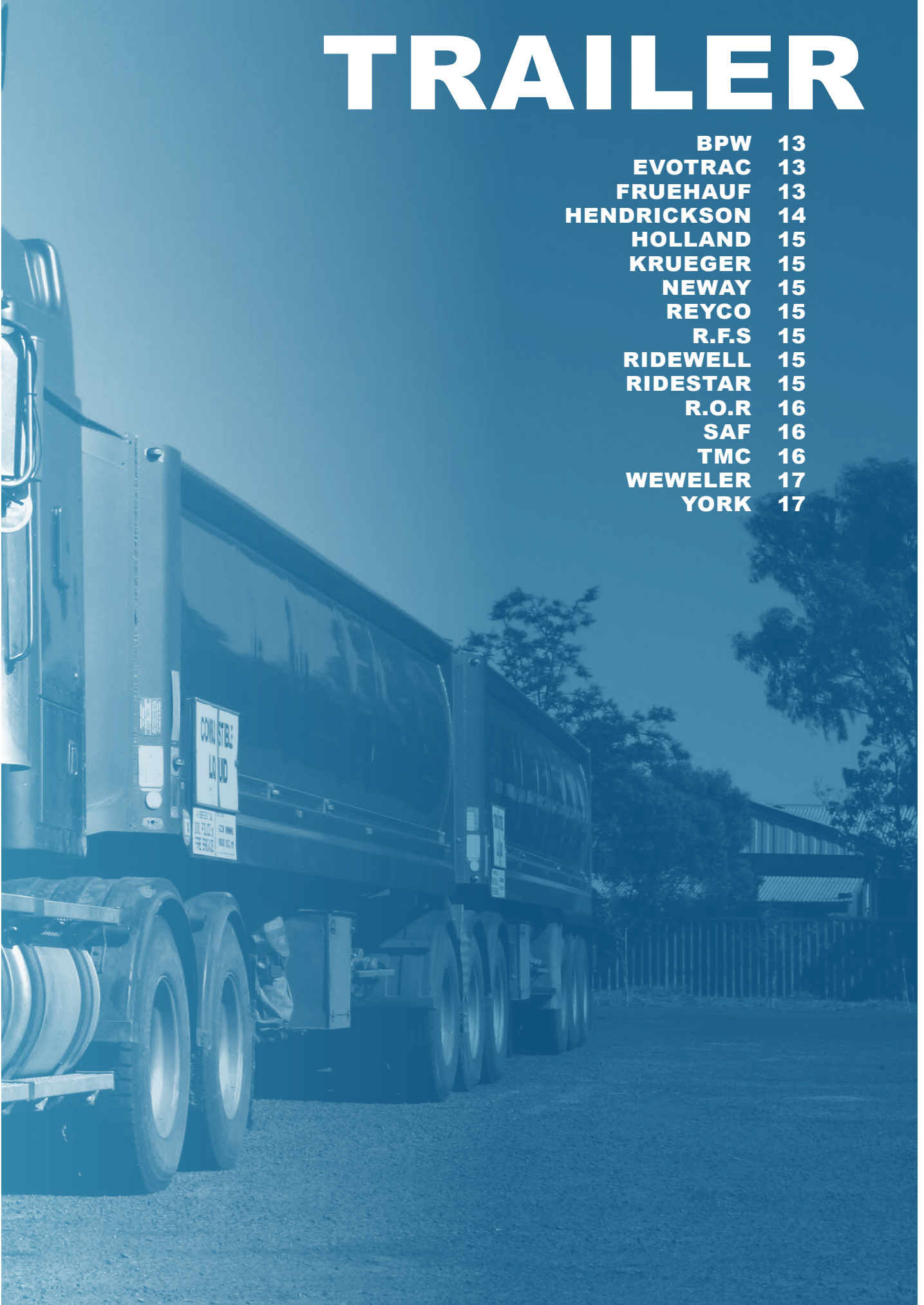
1629714
1629719



MLF5200

1076855
20427897

TRAILER

BPW	13
EVOTRAC	13
FRUEHAUF	13
HENDRICKSON	14
HOLLAND	15
KRUEGER	15
NEWAY	15
REYCO	15
R.F.S	15
RIDEWELL	15
RIDESTAR	15
R.O.R	16
SAF	16
TMC	16
WEWELER	17
YORK	17



 MAKE & MODEL DESCRIPTION		AIR SPRINGS			
		FRONT		REAR	
		Part #	OE#	Part #	OE#

TRAILER APPLICATIONS

BPW					
Early Bellows Type				MLF8087	02.200.24.00.0
				MLF8089	02.200.24.60.0
Type 30					
(Service Assembly - Including TOP Plate Only)				MLF8047	05.429.40.03.0 05.429.42.25.0
Complete Assembly (steel piston)				MLF8046	05.429.40.28.1 05.429.41.24.1
Complete Assembly (Plastic piston)				MLF8093	05.429.43.20.0
Type 30K					
(Service Assembly - Including TOP Plate Only)				MLF8045	05.429.40.91.0 05.429.42.20.0 05.429.42.56.0
Complete Assembly (steel piston)				MLF8042	05.429.42.41.1 05.429.40.09.1
Complete Assembly (Plastic piston)				MLF8177	05.429.43.21.0
Type 36					
(Service Assembly - Including TOP Plate Only)				MLF8066	05.429.40.01.0 05.429.40.03.6 05.429.42.26.0
Complete Assembly				MLF7104	05.429.43.51.0 05.429.43.60.0
EVOTRAC (York Tecair FB) Please also refer TECAIR					
Tecair FB - X360, X370, U150					
Bellow Only				MLF8001	61.61005
Complete Assembly				FS9439	61.610122 1R11-039
Tecair FB - X400, U190					
Bellow Only				MLF8004	61.610049
Complete Assembly				MLF8114	61.610121
					1R12-092
FRUEHAUF					
SA				MLF7115	
NT Air suspension				FS9130	UCE-9393-1 UCE-9393-2 UCE-9393-3 UCE-9393-4
				MAF9394 2 hole base mount	CF1524873-04



MAKE & MODEL DESCRIPTION



AIR SPRINGS

FRONT

REAR

Part #

OE#

Part #

OE#

TRAILER APPLICATIONS

HENDRICKSON

INTRAAX Series

AAT23K (AA230T) 10.5T				MAF8709	C-20900 C-21800
AAL23K (AA230L) 10.5T 6.5" & 7.5" Ride Height				MAF9626 MAF9644	S-23720 S-23721
9" Ride Height				FS9646	S-23611
12" Ride Height				MAF9645	S-23612
AANT23K (AA230NT) 10.5T Please check OE # for the correct part				MAF8091	C-20901
				MAF8709	C-21784 C-21800
NZ Only				FS8614	S-26773
AAT25K (AA250T) 11.3T Please check OE # for the correct part				MAF8091	C-20901 C-21784
				MAF8709	C-21800
AAL25K (AA250L) 11.3T 6.5" & 7.5" Ride Height				MAF9626 MAF9644	S-23720 S-23721
9" Ride Height				FS9646	S-23611
12" Ride Height				MAF9645	S-23612
AAT30K (AA300T)				MAF8774	C-25873

HKA Series

HKAT46K (HKA200) < 16" ride Height				MAF8709	C-21800
HKAT50K (HKA250)				MAF8091	C-21784

HLM Series

HLM Lift				MAF6935	S-14318
HLM & HT250U				MAF9321	S-14249



HT Series

HT230T 10.5T Single Stud bead plate				MAF9270	S-20010
Two Stud bead plate				MLF8077	S-21208
HT250T 11.3T				MAF9265	C-20124
HT250U 11.3T HT250U				FS9264	C-13122
Other than 7.5" & 9.0" - 021. 9.0" - 0.20				MAF9265	C-20124
HT250S / US 11.3T				MAF9580	C-20127
HT300T 13.6T				MLF7112	B-4771
HT300U 13.6T				MAF9122	S-3830

T Series

T15-172, T17-174				MLF7112	B-4771
T23-US-6				MLF8114	B-2066



MAKE & MODEL DESCRIPTION	 	AIR SPRINGS			
		FRONT		REAR	
		Part #	OE#	Part #	OE#

TRAILER APPLICATIONS

HOLLAND (Please also see R.O.R.)

Heavy Duty Series

U514 Underslung U524 & U534 Overslung				21221307	212.31.307
H041 & H134 Underslung H042 Overslung				21208082	212.08.082 212.15.632

Euro Series

E510 Underslung E520 & E530 Overslung				21221307	212.31.307
--	--	--	--	----------	------------

KRUEGER

				21221307	1T15MP-7-M58-6297
				MLF9002	1R11-111 1DK20C-54

NEWAY

AR45				MAF9039	90557023
AR75 (-6, -9)				MLF8114	90557027 90557075
AR75 (-12)				MLF7115	90557009
AR90 (-14, -15)				MLF7128	90557086
AR92 (-12, -14)				MAF9921	90557117
AR93 (-14, -16)				FS9923	90557118
RL228 (-14, -15, -16)				FS9936	90557156
RL228 (-17)				MAF9935	90557157

REYCO

86AR, 86T AR				MAF7555	18813-01 20018-01
				MLF7115	12883-01
				MLF8114	12882-01
				MAF9122	12883-02
AR87-9				FS9010	12928-01
AR87-14				MLF7115	12883-01

R.F.S.



				21221307	1T15MP-7-M58-6297
--	--	--	--	----------	-------------------

RIDEWELL

Overslung				FS8752	1001R13097G
Underslung				MLF8114	1003589082C
Other models				MLF7115	1003589010C

RIDESTAR

RFS23T				21227742	2122 7742
--------	--	--	--	----------	-----------

 MAKE & MODEL DESCRIPTION		AIR SPRINGS			
		FRONT		REAR	
		Part #	OE#	Part #	OE#

TRAILER APPLICATIONS

R.O.R.

Various Models				21221307	2122 1307 2501202
Indair including axle lift 4 stud airspring				21208082	2120 8082FS 2121 5632 2501201
CS9				21229214	2122 9214
				21229455	2122 9455
Flexair - FL9000, FL9000H, FL9000L, FL9000HL FLEXLITE XL9000				21222442	2122 2442
Flexair FL9000HLL, FL9000M, FL1000D				21222673	2122 2673
FL9000 & FL9000L with dual side Cradle Lift Flexair NB Axle Lift (Tracked)				21222663	2122 2663
FL11000				21222239FS	2122 2239FS
FL11000/150				21223269	2122 3269FS
FL11000L				21208082	2120 8082 2121 5632
TM Self Steer axle		21212549	2121 2549		
XL9000 Flexlite				21222442	2122 2442



SAF

Trailer Axles				21222673	2.229.0005.00
					3.229.0006.01
					3.229.0013.00
				MLF8031	3.229.0029.00
					3.229.2129.00
					3.229.2229.00
					3.229.2429.00
				MLF8028	2618V
					3.229.0031.00
					3.229.2231.00
				MLF8036	3.229.2431.00
				MLF8135	4.229.1004.00
					4.284.3006.00

TMC

11T Series

200mm Ride Height				MLF8027	626908 1R14-716
300 - 400mm Ride Height				MLF8026	626909 1R14-705
LMV & LMXP Series				MLF7307	IR12-642

 MAKE & MODEL DESCRIPTION		AIR SPRINGS			
		FRONT		REAR	
		Part #	OE#	Part #	OE#

TRAILER APPLICATIONS

WEWELLER

FL041, FL131				21208082	2120 8082
--------------	--	--	--	----------	-----------

YORK

Tecair 1 Series

200MM Ride Height				21208082	61.506243-01
-------------------	--	--	--	----------	--------------

300 - 400mm Ride Height				MLF8026	61.505859-01
-------------------------	--	--	--	---------	--------------

Tecair 2 Series

				21208082	61.506243-01
--	--	--	--	----------	--------------

Tecair FB - X360, X370, U150

Bellows only				MLF8001	61.61005
--------------	--	--	--	---------	----------

Complete unit with sealed bag				FS9439	61.610122 1R11-039
-------------------------------	--	--	--	--------	-----------------------

Tecair FB - X400, U190

Bellows only				MLF8004	61.610049
--------------	--	--	--	---------	-----------

Complete unit with sealed bag				MLF8114	61.610121 1R12-092
-------------------------------	--	--	--	---------	-----------------------

Tecair FB 3 (including Duratrac)

				21208082	1R14-159
--	--	--	--	----------	----------



TRUCK

DAF	21
FODEN	21
FORD	21
FREIGHTLINER	21
HENDRICKSON	22
HINO	22-23
INTERNATIONAL	23
ISUZU	23-24
IVECO	24-25
KENWORTH	25-26
MACK	26
MAN	26-27
MERCEDES	27
MITSUBISHI	27
NEWAY	28
SCANIA	28-29
STERLING	29
UD	29
VOLVO	30
WESTERN STAR	31



MAKE & MODEL DESCRIPTION



AIR SPRINGS

FRONT

REAR

Part #

OE#

Part #

OE#

TRUCK APPLICATIONS

DAF

Airglide Suspension

100 Series (for inward mounted shock absorbers)				MAF9422	K303-6 K303-14 K303-15
200, 400, 600 Series (for outward mounted shock absorbers) 9" Ride Height	96 - 97			FS9617 small air fitting	K303-18
	98 - 05/03 5/03 - on			MAF9622 large air fitting MAF9547	K303-22 C81-1004
10.5" Ride Height	96 - 97			FS9618 small air fitting	K303-19
	98 - 05/03			MAF9625 large air fitting	K303-25
					FS9675 large air fitting No BumpsTOP
	5/03 - on			MAF9541	C81-1005

FODEN

Truck		MLF8113	1300248000	MLF8113	1300248000
			03-02038		03-02038

FORD

Louiseville, Aeromax

Hendrickson Suspension HA400, HA460, WD460	- 91			FS9466	49048-002
	91 - on			FS9287	50404-001 50405-002
Hendrickson Suspension HAS400, HAS460, WD2 460				MAF9373	50899-001 57122-001 58849-002
Neway Suspension AD246-10				MAF9471	90557146 90557182

FREIGHTLINER

Argosy C112, CL120, CST

Airliner FAS I, FAS II				MAF9780	681 320 0017 16-13810-000
Hendrickson PAX460 Primax Susp.				MAF9663	60271-002
Argosy C112, CL120, CST					
Neway AD246-10 Susp.				MAF9471	90557146 90557182
				FS8793	90557270





MAKE & MODEL DESCRIPTION



AIR SPRINGS

FRONT

REAR

Part #

OE#

Part #

OE#

TRUCK APPLICATIONS

HENDRICKSON

HA Series

400, 460, 600	-91			FS9466	49048-000 49048-002
	91 - on			FS9287	50405-001 50405-002

HAS Series

200, 230, 231				MAF9373	50899-001 57122-001 57122-002
---------------	--	--	--	---------	-------------------------------------

PAX series

8.5" x 10' Ride Height				MAF9663	60271-002L
12.5", 14.375" & 15.5" Ride Height				FS9654	65032.002

Parasteer

For Bus Suspensions (NZ)		FS8971	59484-002	FS8971	59484-002
--------------------------	--	--------	-----------	--------	-----------

WD Series

WD460	-91			FS9466	49048-002
	91 - on			FS9287	50405-001 50405-002
WD2460				MAF9373	50899-001 57122-001 57122-002

HINO

FD Series (Including Ranger 6 / Pro6)

With rear Hendrickson HAS200, 230 Air Suspension				MAF9373	97101-001
--	--	--	--	---------	-----------

FL & FM Series (Including Ranger 14 / Pro14)

With rear Hendrickson HAS400 Air Suspension				MAF9373	49710-2880 58849-002 97101-001
---	--	--	--	---------	--------------------------------------

FS Series (Including Ranger 50 / Super Dolphin / 700 Series)

FS1E (4562 700 Series) WITH Rear Hendrickson HAS400, 461 Air Suspension				MAF9373	49710-2880 58849-2 58849-002
---	--	--	--	---------	------------------------------------

GD Series (Including Ranger 7 / Pro 7)

GD1J (4x2), GD8J (4x2) with rear Hendrickson HAS200, 230 Air Suspension				MAF9373	49710-2880 58849-2 58849-002 97101-001
---	--	--	--	---------	---

GH Series (Including Ranger 10 / Pro 10)

GH1J (Ranger 10) With Rear Hendrickson HAS200 Air Suspension				MAF9373	49710-2880 58849-2 58849-002
--	--	--	--	---------	------------------------------------





MAKE & MODEL DESCRIPTION



AIR SPRINGS

FRONT

REAR

Part #

OE#

Part #

OE#

TRUCK APPLICATIONS

HINO

SS Series (Including 700 Series 4568 Prime Mover)

SS1E (4568 700 Series) With rear Hendrickson HAS400, 461 Air Suspension				MAF9373	49710-2880 58849-2 58849-002
---	--	--	--	---------	------------------------------------

INTERNATIONAL

7600, 9200 & 9900 Eagle

Hendrickson HAS Air Suspension				MAF9373	50899-001 57122-001 57122-002
Hendrickson Primax PAX460 Air Suspension				MAF9663	60271-002
Neway AD246 Air Suspension				MAF9471	90557146 90557182

ACCO Series

With Ital Air ride Suspension (6x4)				MAF9371	1670043C1 1686386C1
With Hendrickson HAS200, HAS400 HAS460, HAS461 Air Suspension				MAF9373	50899-001 57122-001 57122-002
With Neway AD246-10" Air Suspension				MAF9471	90557146 90557182

S & T Line Series

With Ital Air ride Suspension (6x4)				MAF9371	1670043C1 1686386C1
With Hendrickson HAS400 Air Suspension				MAF9373	50899-001 57122-001 57122-002

Transtar Series

With Ital Air ride Suspension				MAF9371	1670043C1 1686386C1
with Hendrickson HAS200, HAS400 HAS460, HAS461 Air Suspension				MAF9373	50899-001 57122-001 57122-002
With Neway AD246-10" Air Suspension				MAF9471	90557146 90557182

ISUZU

CXY Series

CXY385 6x4 incl Giga Max with Hendrickson HAS461 Air Suspension				MAF9373	57122-001 57122-002
---	--	--	--	---------	------------------------

EXY Series

EXY425 6x4 (Incl. Gigamax Custom) with Hendrickson HAS400, 461 Air Suspension				MAF9373	57122-001 57122-002
---	--	--	--	---------	------------------------





MAKE & MODEL DESCRIPTION



AIR SPRINGS

FRONT

REAR

Part #

OE#

Part #

OE#

TRUCK APPLICATIONS

ISUZU

FVD Series

With Hendrickson HAS230
Air Suspension

MAF9373

57122-001
57122-002

FVL & FVY Series

FVL1400 (FVL23), FVY1400 (FVY23)
Sitec 270, 275 all with Hendrickson
HAS400 rear Air Suspension

MAF9373

57122-001
57122-002

GVD & GVR Series

GVD (Sitec 270), GVR (Sitec 275)
with Hendrickson HAS400
Suspension

MAF9373

57122-001
57122-002

IVECO

Eurostar Series

LD5500 (520HP)
with Hendrickson HAS200, HAS400,
HAS461 Air Suspension

MAF9373

57122-001
57122-002

Eurostar Series

LD5500 (520HP)
With Neway AD246-10"
Air Suspension

MAF9471

90557146
90557182MT3500
With Hendrickson HAS400 Air Susp.

MAF9373

57122-001
57122-002MP4100, MP4300 & MP4500 (6x4)
(8x4)
With Hendrickson HAS200, HAS400
HAS461 Air Suspension

MAF9373

57122-001
57122-002Neway
AD246-10" Air Susp.

MAF9471

90557146
90557182

FS8793

90557270

MP4700 - Series I & II (6x4) (8x4)
Rear Srs I & II with Hendrickson
HAS200, HAS400, HAS461
Air Suspension

MAF9373

57122-001
57122-002
57122-002Rear Srs I & II with Neway
AD246-10 Air Suspension

MAF9471

90557146
90557182

FS8793

90557270

Powerstar Series

With Hendrickson HAS400, 460
Air Suspension

MAF9373

57122-001
57122-002

With Neway AD246-10" Air Susp.

MAF9471

90557146
90557182

FS8793

90557270

Hendrickson PAX460 Primax
Air Suspension

MAF9663

60271-002





MAKE & MODEL DESCRIPTION



AIR SPRINGS

FRONT

REAR

Part #

OE#

Part #

OE#

TRUCK APPLICATIONS

IVECO

Stralis Series

With Hendrickson HAS400 Air Susp				MAF9373	57122-001 57122-002
Hendrickson PAX460 Primax Air Suspension				MAF9663	60271-002

KENWORTH

Airglide Air Suspension

100 Series 8 Bag, with inward mounted Shock absorbers				MAF9422	K303-6 K303-14 K303-15
				MAF9616	K-303-16
200, 400, 600 Series (with shocks mounted outside chassis rail) With outward mounted Shock absorbers & 9" Ride Height	96 - 97			FS9617 small air fitting	K303-18
	98-05/03			MAF9622 large air fitting	K303-22
	5/03-			MAF9547	C81-1004
With outward mounted Shock absorbers & 10" Ride Height	96 - 97			FS9618 small air fitting	K303-19
	98- 05/03			MAF9625 large air fitting	K303-25
					FS9675 large air fitting No BumpsTOP
	5/03-			MAF9541	C81-1005
Hendrickson Air Suspension HAS Series HAS200, 400, 460				MAF9373	57122-001 57122-002
Primax Series - PAX690 (Dual Axle) 8.5" & 10" Ride Height				MAF9663	60271-002L
12.5", 14.375" & 15.5" Ride Height				FS9654	65032-002
Primax Series - PAX690 (Tri Axle) 8.5" & 10" Ride Height				MAF9663	60271-002L
12.5", 14.375" & 15.5" Ride Height				FS9654	65032-002
WD Series					
WD460	-91			FS9466	
	91 - on			FS9287	50405-001 50405-002
WD2460				MAF9373	50899-001 57122-001 57122-002
Neway Air Suspension					
AD246-10				MAF9471	90557146 90557182
				FS8793	90557270





MAKE & MODEL DESCRIPTION



AIR SPRINGS

FRONT

REAR

Part #

OE#

Part #

OE#

TRUCK APPLICATIONS

KENWORTH

Neway Air Suspension

AD369-10				MAF9471 Remove Bracket	90557212
				FS8793	90557270

MACK

Hendrickson Air Suspension

HAS400, 460, 461 Air suspension				MAF9373	57122-001
					57122-002
PAX460 Primax Air Suspension				MAF9663	60271-002

Mack Air Suspension

Mack AL460 Air Suspension				MAF9373	57122-002L
---------------------------	--	--	--	---------	------------

Neway Air Suspension

ARD & ARDST ARD Air Susp.				MLF8114	90557027
ARDST MK1 & MK2				MLF8114	90557027
Mack Axles - NAS.36C, NAS.462C				MAF9471	90557146
Meritor Axles - RT40-145GP, RT46-160GP				MAF9471 Remove Bracket	90557212
AD246 - 11" Ride Height Dana, Mack & Meritor Axles				MAF9471 Remove Bracket	90557212
AD246-12" Ride Height Mack Axle - NAS.462C				FS9473 FS9504 (2 Bolt mount)	90557215 90557216
AD252-11" Ride Height				MAF9144	90557155
AD369-12" Ride Height Mack Axle NAS.692C				FS9473 FS9504 (2 Bolt mount)	90557215 90557216
AD378-11" Ride Height				MAF9144	90557155

MAN

8 Series

8.160 F, FK, FS				MLF8013	81.43601.0132
-----------------	--	--	--	---------	---------------

10 Series

10.160				MLF8013	81.43601.0132
10.223 FC (4x2)	96-			MLF8004	81.43601.0033 81.43601.0036 81.43601.0037
10.223 (L2000)				MLF8013	81.43601.0132





MAKE & MODEL DESCRIPTION



AIR SPRINGS

FRONT

REAR

Part #

OE#

Part #

OE#

TRUCK APPLICATIONS

MAN

12 & 15 Series

12.223 FC L2000 15.263 LL (4x2)	95-			MLF8013	81.43601.0121
	96-			MLF8084	81.43601.0104 81.43601.0120 81.43601.0125

18 Series & 19 Series

18.223 LLL, 18.263LLL, 18.264LLL, All 4x2 19.332 FLL, ULL				MLF8004	81.43601.0037
---	--	--	--	---------	---------------

19 Series F2000

All 4x2 19 Series	94-			MLF8012	81.43601.0066 81.43601.0104
-------------------	-----	--	--	---------	--------------------------------

22 Series

22.263 (6x2)				MLF8013 Drive Axle	81.43601.0121
				MLF8084 Tag Axle	81.43601.0104 81.43601.0120 81.43601.0125

26 Series

26.402 (6x4) (6x6) 26.403 (6x2) FNL, FNLL (F2000)				MLF8013 Drive Axle	81.43601.0121
26.403 (6x2/4) FVL (F2000) 26.463 (6x4) FCLS (Drive axle) 26.482 (6x4) (Drive Axle)				MLF8013	81.43601.0121

MERCEDES

17 Series

1734 with FAS1 Airliner Suspension				MAF9780	681 320 0017
------------------------------------	--	--	--	---------	--------------

24 Series

2434 with FAS1 Airliner Suspension	92-			MAF9780	681 320 0017
------------------------------------	-----	--	--	---------	--------------

25 Series

2534 with FAS1 Airliner Susp.	93-			MAF9780	681 320 0017
-------------------------------	-----	--	--	---------	--------------

				MLF8119	A 000 328 0101
--	--	--	--	---------	----------------

Actros

				MLF8108	A 942 320 0121
				MLF8109	A 942 320 0221

MITSUBISHI

FM Series (Including Fighter 8.0 & 10.0)

Truck with Hendrickson HAS Air Suspension				MAF9373	
--	--	--	--	---------	--





MAKE & MODEL DESCRIPTION



AIR SPRINGS

FRONT

REAR

Part #

OE#

Part #

OE#

TRUCK APPLICATIONS

NEWAY / HOLLAND SUSPENSIONS

ARD-244

MLF8114

90557027

ARDST-244

MLF8114

90557027

AD-123/246

6.5", 8.75" Ride Height
(for single stud mounting)

-00

FS9472

90557147

AD-246

10" Ride Height
(for single stud mounting)

-00

MAF9471

90557146

10" & 11" Ride Height
(For Two stud mounting)

00-

MAF9471
(Remove
Bracket)

90557212

FS8793

90557270

12" Ride Height (For MACK only)

FS9473
FS9504
(2 bolt mount)

90557215

90557216

AD-369

10" & 11" Ride Height
(For Two stud mounting)

00 ~

MAF9471
(Remove
Bracket)

90557212

FS8793

90557270

12" Ride Height (For MACK only)

FS9473
FS9504
(2 bolt mount)

90557215

90557216

SCANIA

2 & 3 Series

92, 93 - 6x4
112, 113 - 4x2, 6x2, 6x2/4, 6x4
142, 143 - 4x2, 6x2, 6x2/4, 6x4

MLF8034

1107674
1314906

4 Series

94 - 6x4, 8x4
114, 124 - 4x2, 6x2, 6x4
144, 164 - 4x2, 6x2, 6x2/4, 6x4,
8x4

MLF8081

1379392
1379393
1440294

P Series (270, 310, 340, 380, 420)

8x4
1st Axle

MLF8146

1362145
1386199

2nd Axle

MLF8146

1362145
13861994x2
2 Bag Rear Air Suspension

MLF8081

1440294

6x4
4 Bag Rear Air Suspension

MLF8081

1543691





MAKE & MODEL DESCRIPTION



AIR SPRINGS

FRONT

REAR

Part #

OE#

Part #

OE#

TRUCK APPLICATIONS

SCANIA

R Series (380, 420, 470, 480, 500, 560, 580, 620)

8x4 1st Axle		MLF8146	1362145 1386199		
2nd Axle		MLF8146	1362145 1386199		
6x4 4 Bag Rear Air Suspension				MLF8081	1543691
8x2/4 4 Bag Rear Air Suspension				MLF8146 Drive axle	1362145
				MLF8081 Lift Axle	1543691
8x4 4 Bag Rear Air Suspension				MLF8081	1543691

STERLING

AT9500, LT7500, LT9500

For Airliner Suspension 23K, 40K, 46K				MAF9780	16-13810-000 681 320 0017
For Hendrickson Suspension HAS400, 460 Suspension				MAF9373	57122-001 57122-002
Primax Pax460 Suspension				MAF9663	60271-002
For Neway Suspension AD246-10"	-00			MAF9471	90557146 90557182
Neway AD246-10"	00-			MAF9471 (Remove Bracket)	90557212
				FS8793	90557270

UD

CK, CKB, CW, CWA, CWB Series

With Hendrickson HAS Air Suspension				MAF9373	
LKA265 Series					
Hendrickson HAS200 Air Suspension				MAF9373	
MKA245, 265 Series					
Hendrickson HAS200 Air Suspension				MAF9373	
PKA220, 245, 265 Series					
Hendrickson HAS230 Air Suspension				MAF9373	





MAKE & MODEL DESCRIPTION



AIR SPRINGS

FRONT

REAR

Part #

OE#

Part #

OE#

TRUCK APPLICATIONS

VOLVO

F12

6x4, 8x4 with US Air Suspension	-91			FS9466	50405
	91-on			FS9287	50405-1 50405-2
				FS9296	8061151 8169868

FH12, FH15 & FH16

4x2, 6x2 - 6 Bag rear Air Suspension				MLF8117	1612455
6x4, 8x4 - 8 Bag rear Air Suspension				MLF8082	1593842 1075290
				MLF8042	1076416
				MLF8154	20427803

FL6, FL6E

6x4 - 4 Bag Rear air suspension 6X4, 8X4 - 8 Bag Rear Air Suspension				MLF8082	1593842
--	--	--	--	---------	---------

FL7, FL10, FL12

6x4 US Rear air suspension				FS9296	8061151 8169868
6x4, 8x4 - 8 Bag Rear air suspension				MLF8082	1593842

FM7, FM9 & FM12

6x4, 8x4, RADD-A8 8 Bag Air rear Suspension				MLF8151	1076416
				MLF8154	20427803
				MLF8181	3171694

NH12 & NH16

6x4, 8x4, RADD-A8 8 Bag Air rear Suspension				MLF8082	1593842
--	--	--	--	---------	---------

NL10, NL12

6x4, US Air suspension	-91			FS9466	50405
	91-on			FS9287	50405-1 50405-2
				FS9296	8061151 8169868

Truck

MLF8078

3111277





MAKE & MODEL DESCRIPTION



AIR SPRINGS

FRONT

REAR

Part #

OE#

Part #

OE#

TRUCK APPLICATIONS

WESTERN STAR

Airliner Suspension

Airliner FAS11

MAF9780

681 320 0017
16-13810-000

Hendrickson Air Suspension

HAS400, 460, 461

MAF9373

50899-001
57122-001
57122-002

Primax PAX460 8.5" & 10" ride
Height

MAF9663

60271-002L

12.5". 14.4", 15.5" Ride Height

FS9654

65032-002

Neway Air Suspension

ARDST - 10" ride height

MLF8114

90557006

90557027

90557075

AD246 - 10" ride height

MAF9471

90557146

905571782

Reyco Air Suspension

102AR

MAF9223

12884-01

MAF9039

17360-01

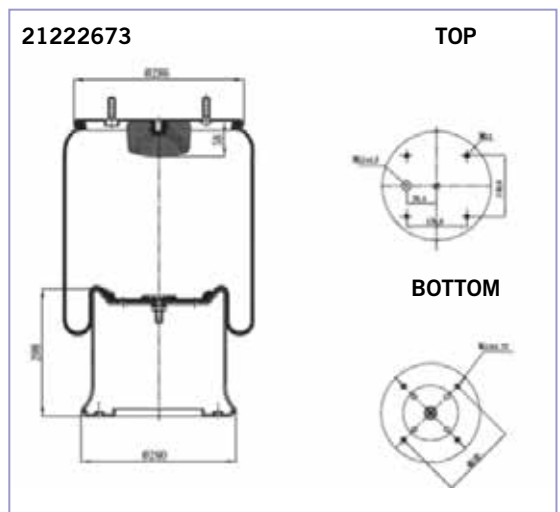
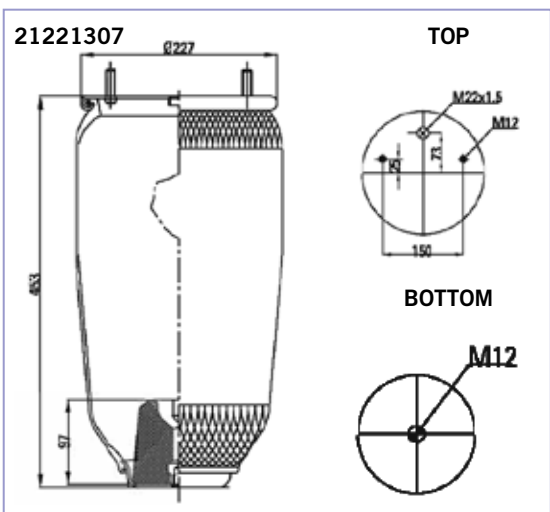
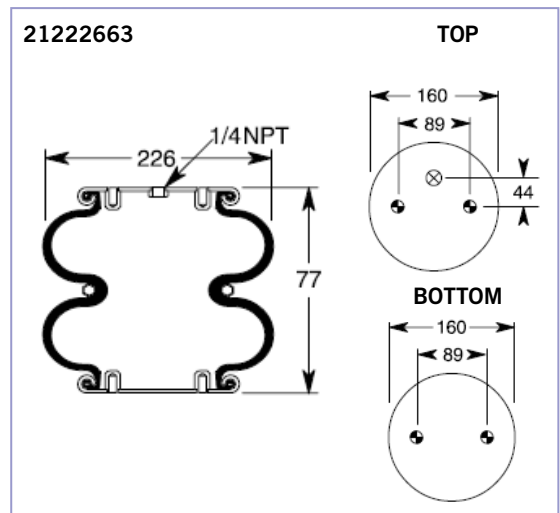
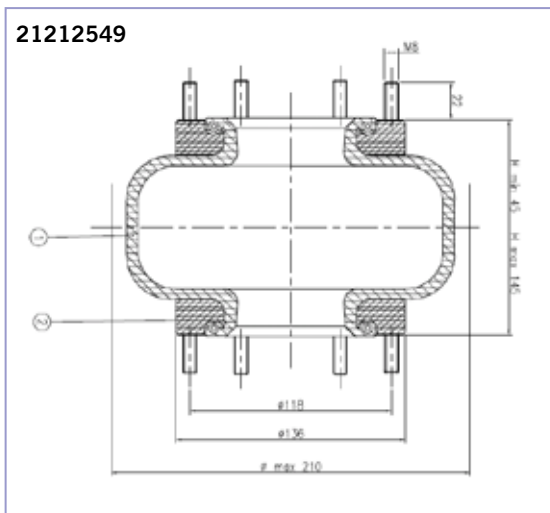
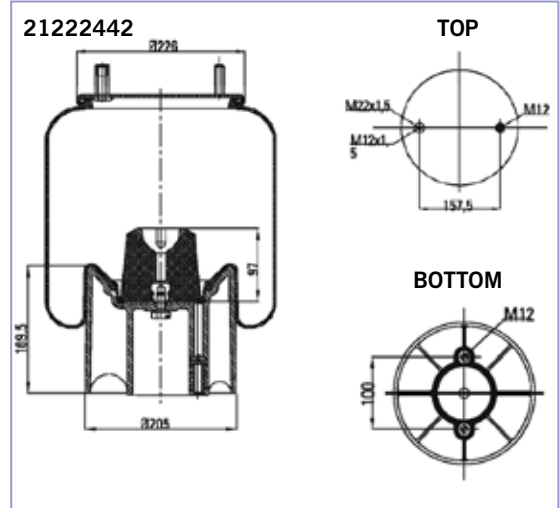
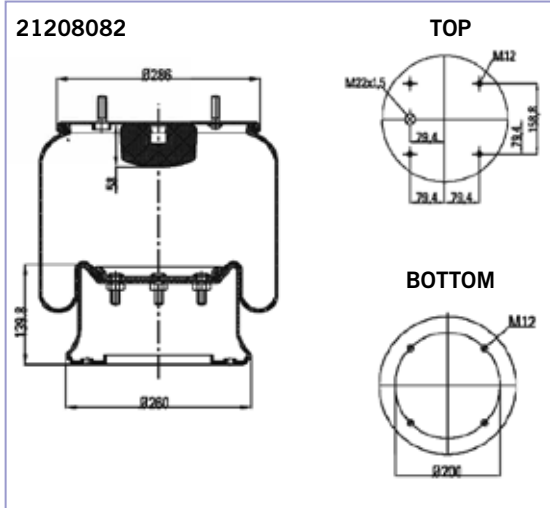


TECHNICAL SPECS

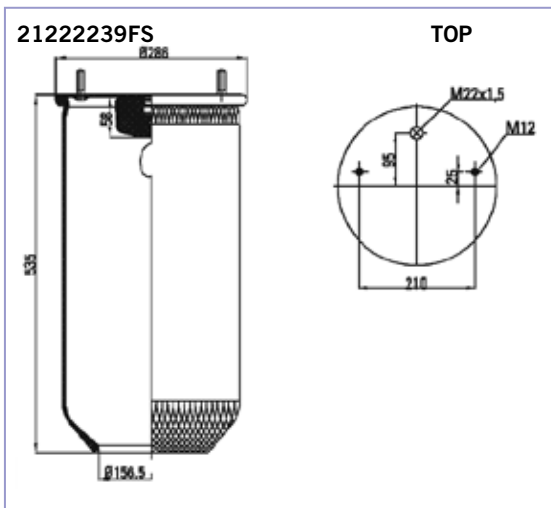
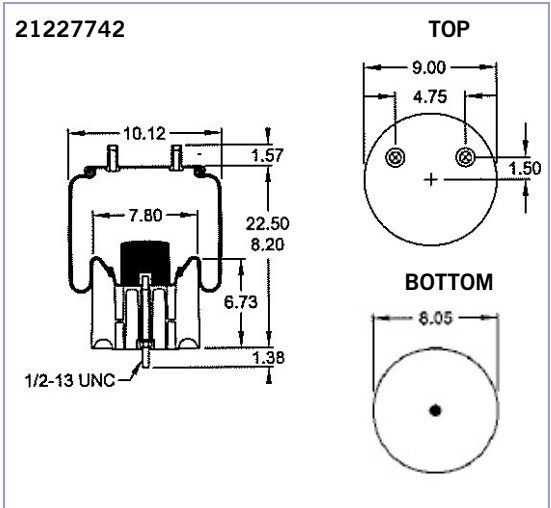
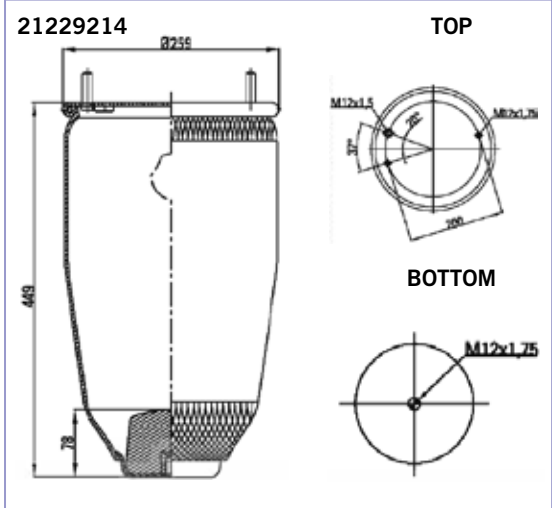
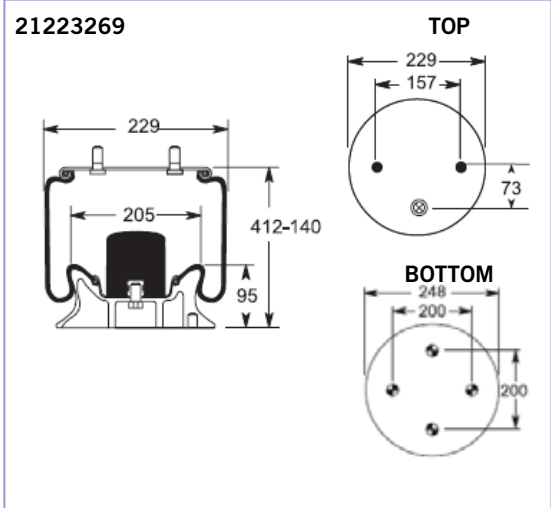
AIR SPRING DIAGRAMS 35-55



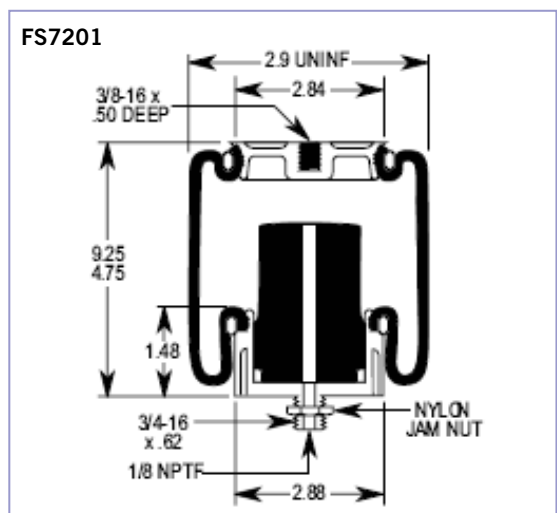
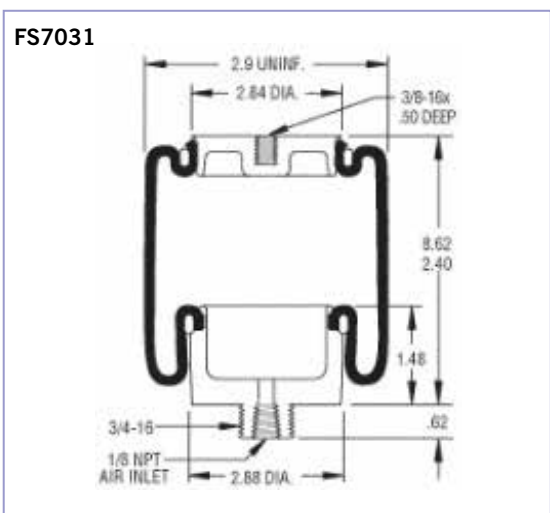
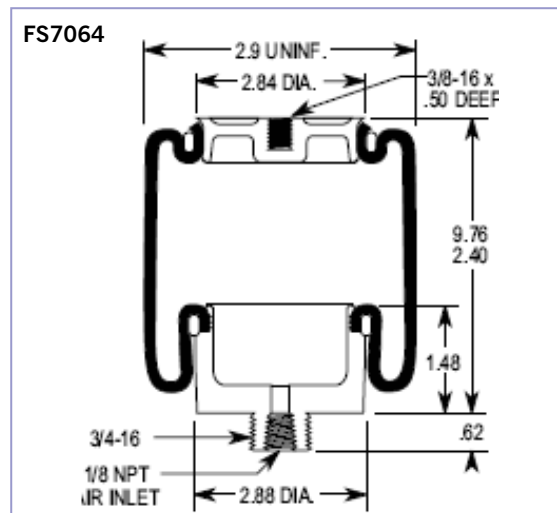
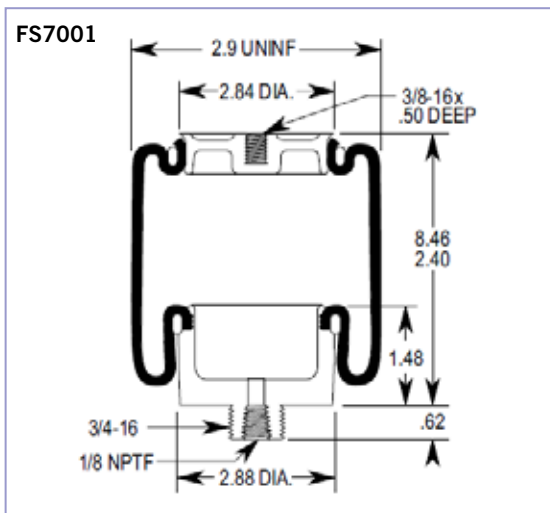
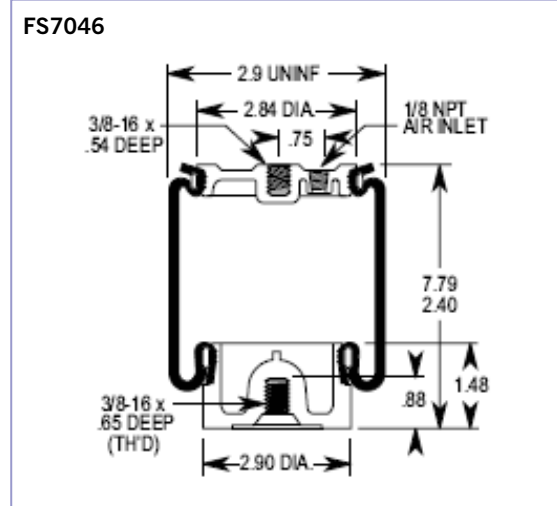
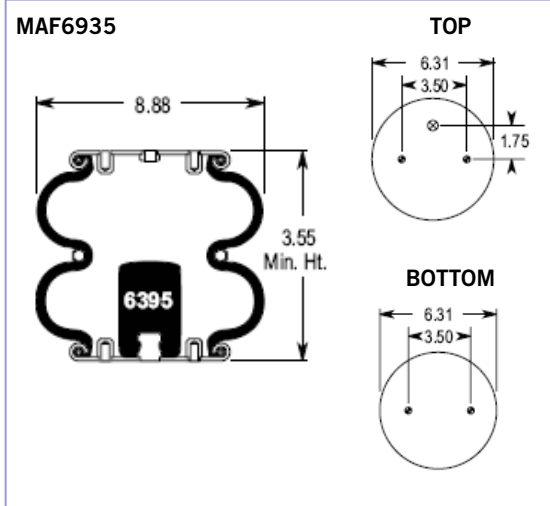
AIR SPRINGS - DIAGRAMS



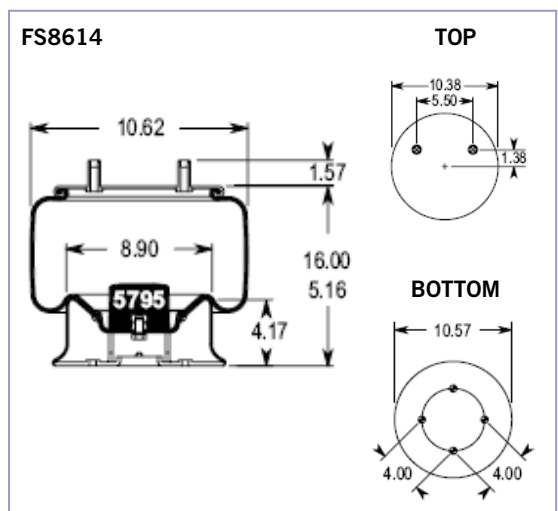
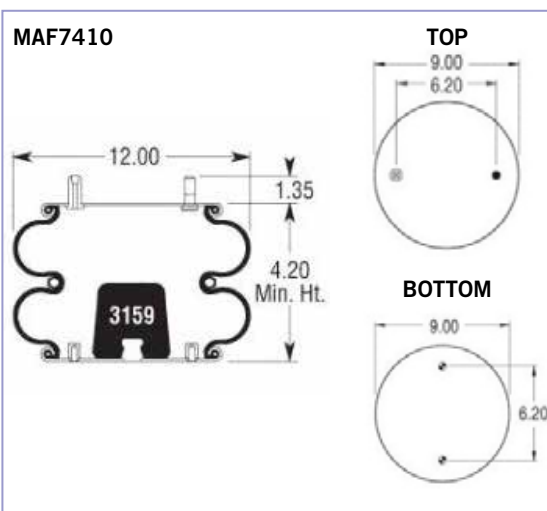
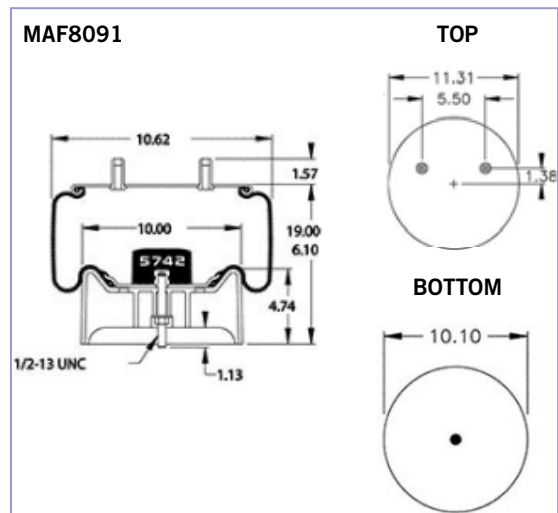
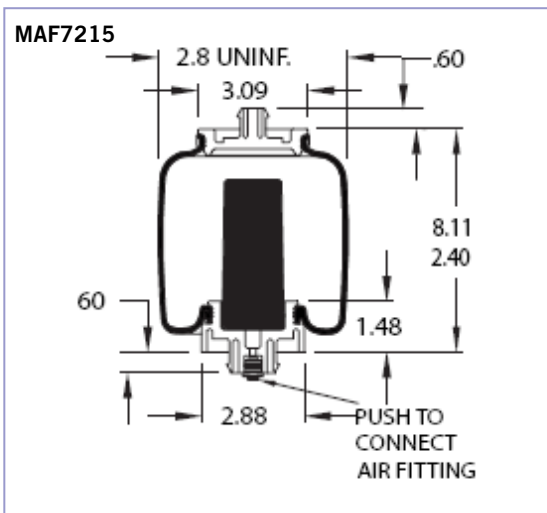
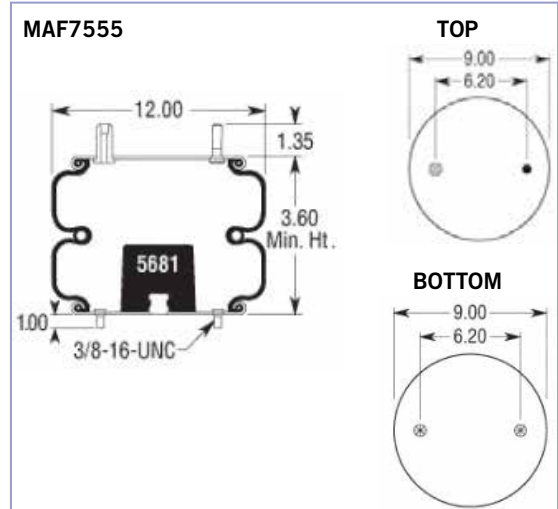
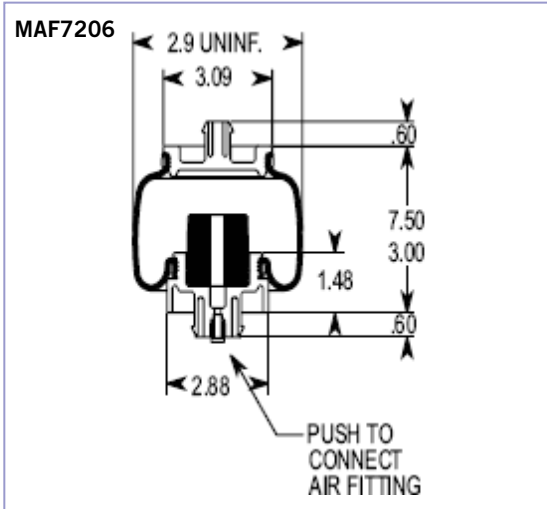
AIR SPRINGS - DIAGRAMS



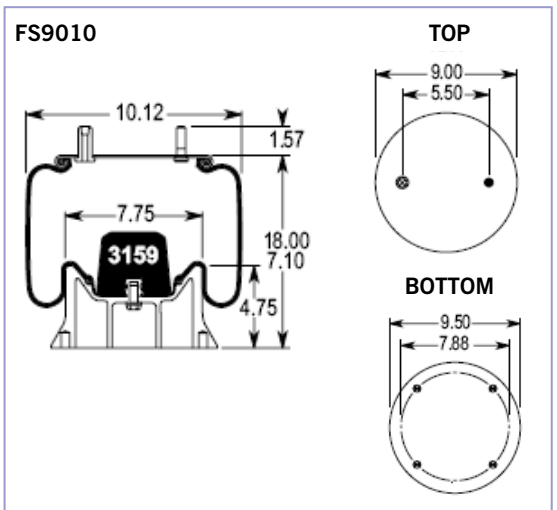
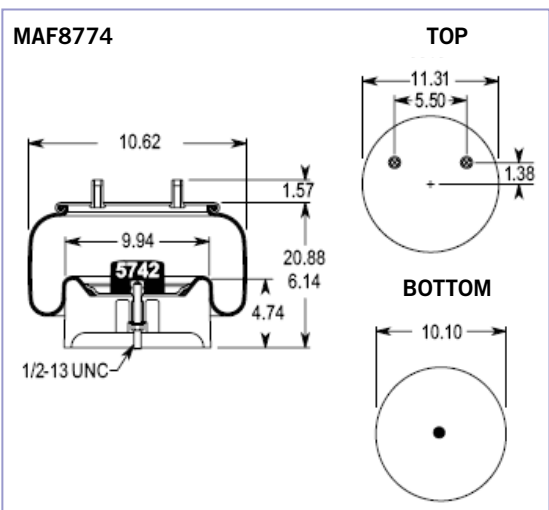
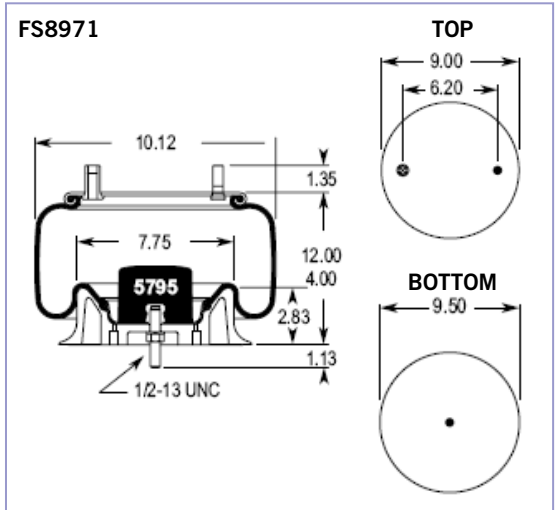
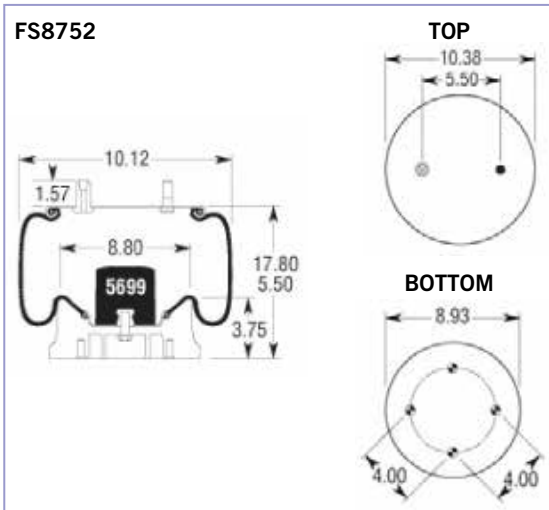
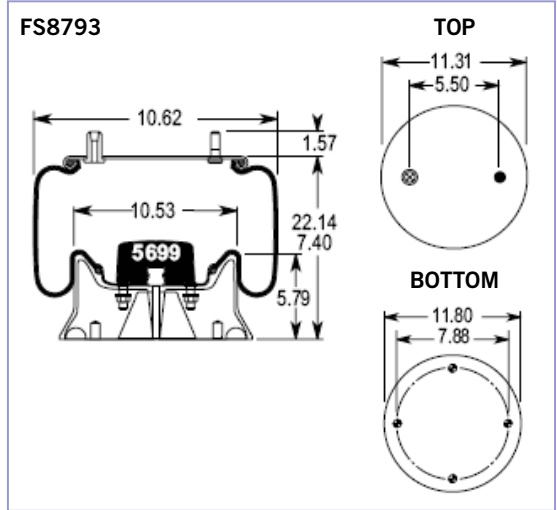
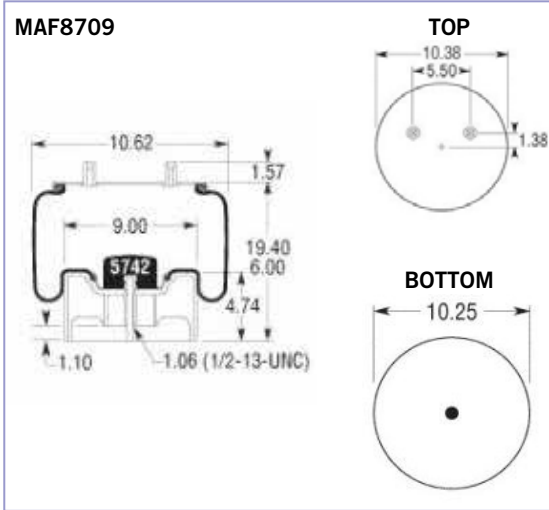
AIR SPRINGS - DIAGRAMS



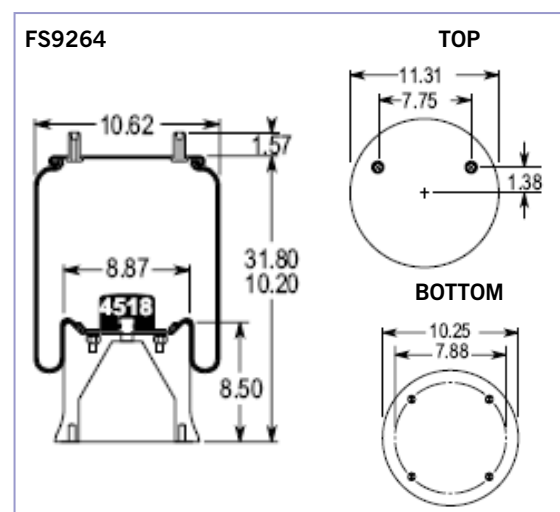
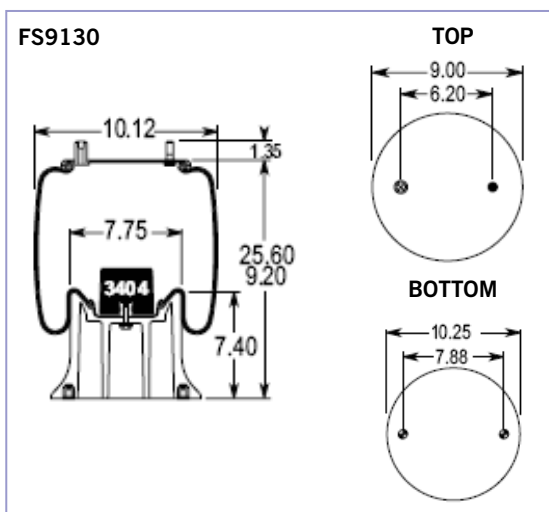
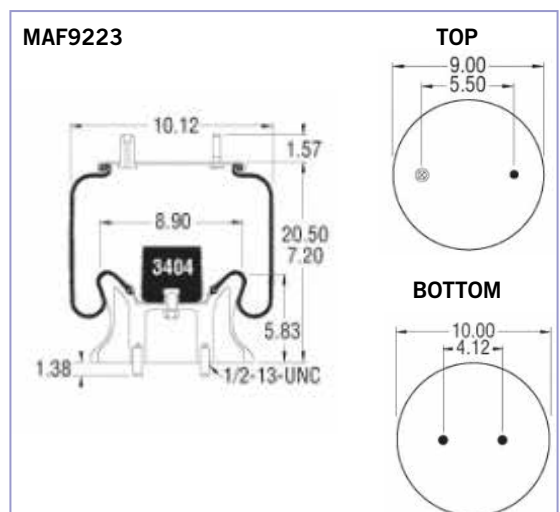
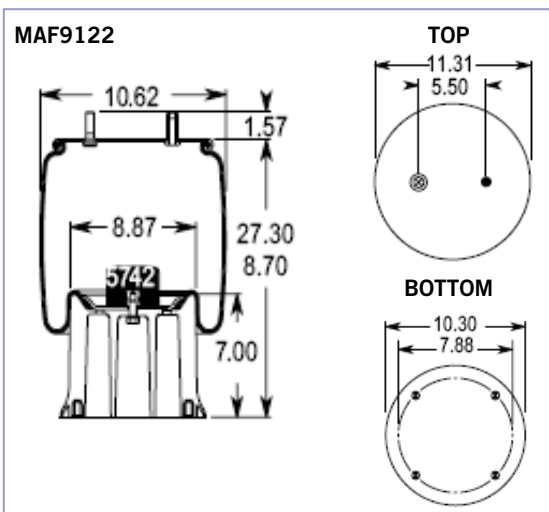
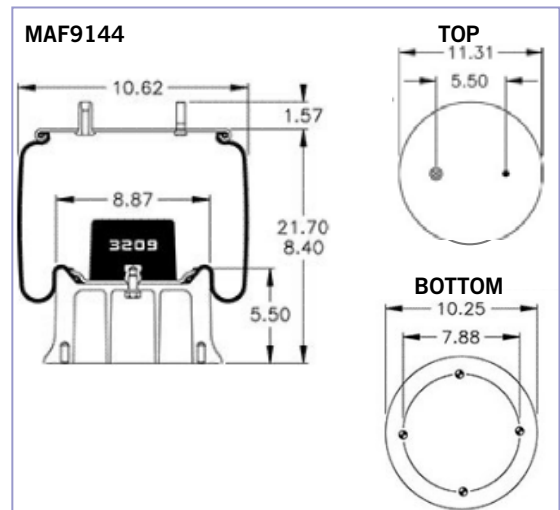
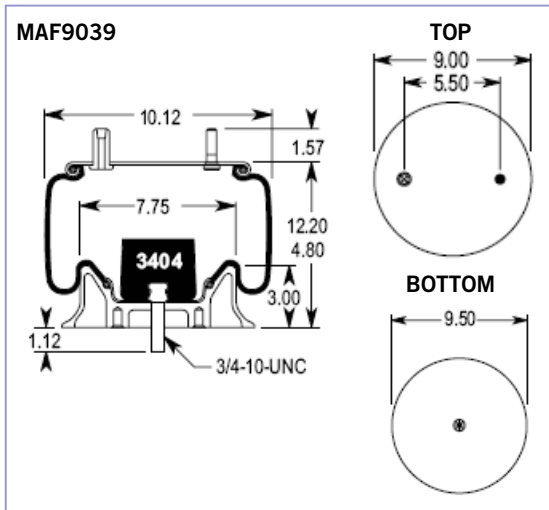
AIR SPRINGS - DIAGRAMS



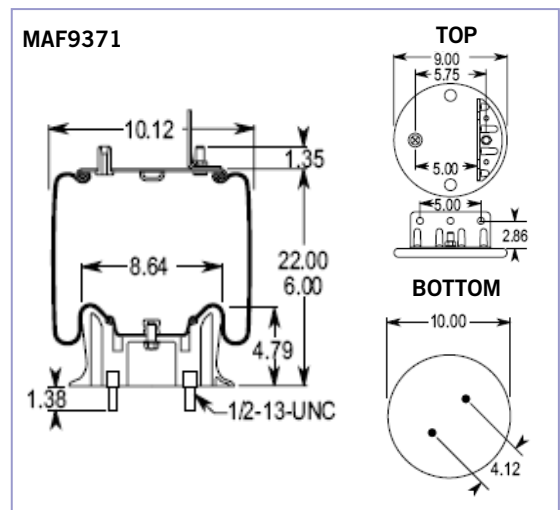
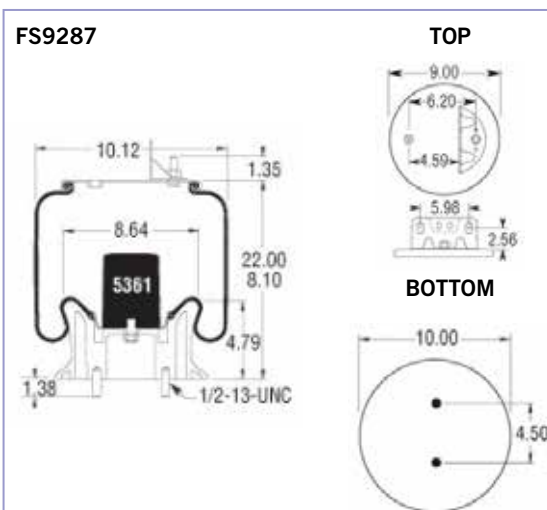
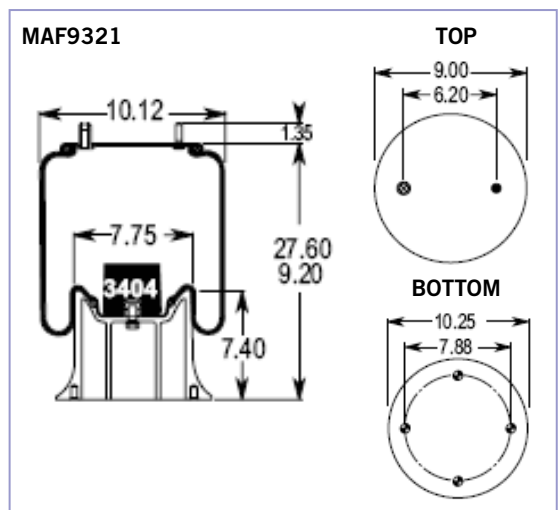
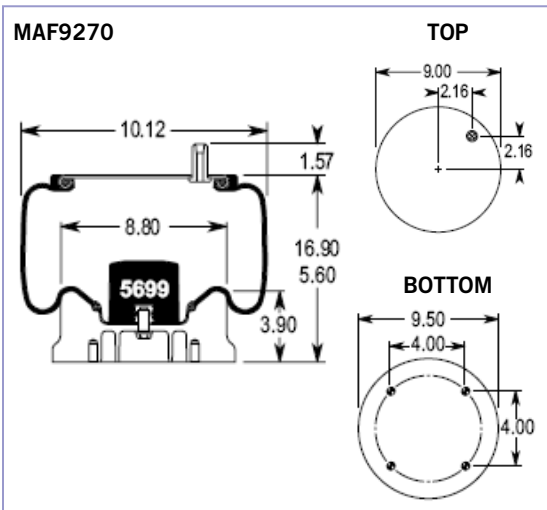
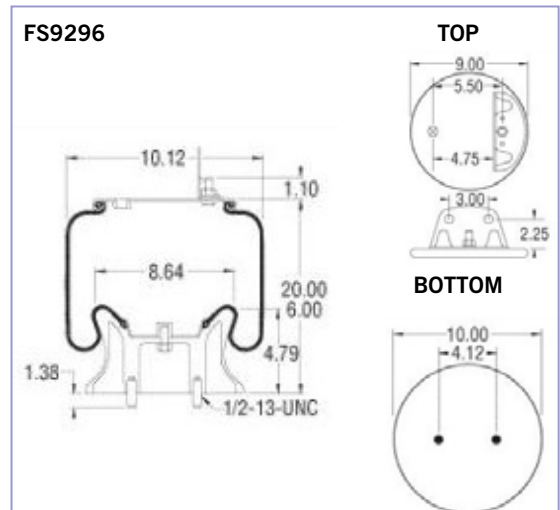
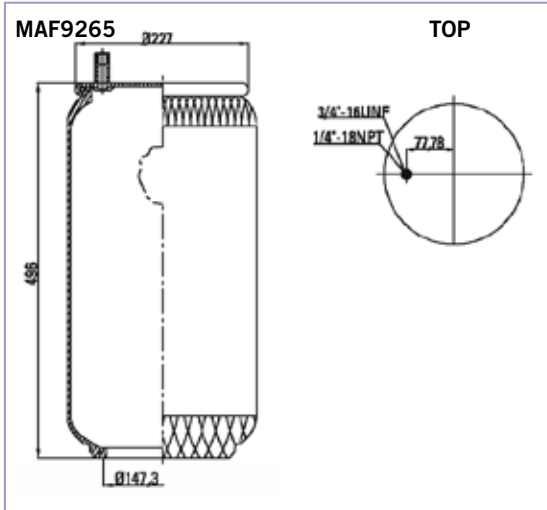
AIR SPRINGS - DIAGRAMS



AIR SPRINGS - DIAGRAMS

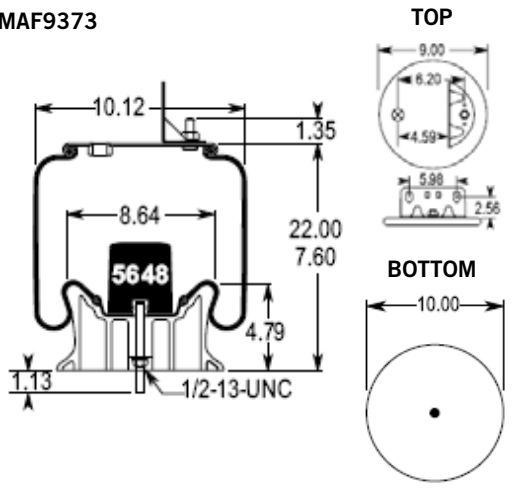


AIR SPRINGS - DIAGRAMS

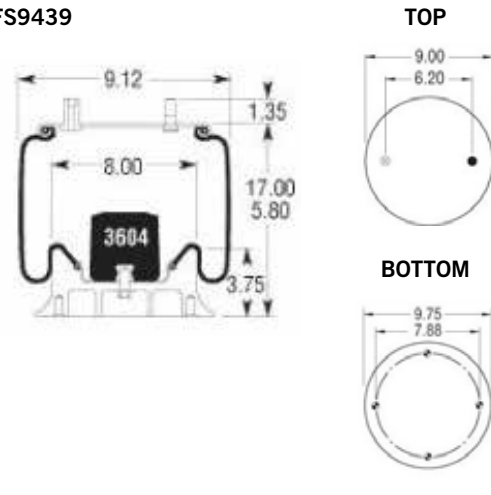


AIR SPRINGS - DIAGRAMS

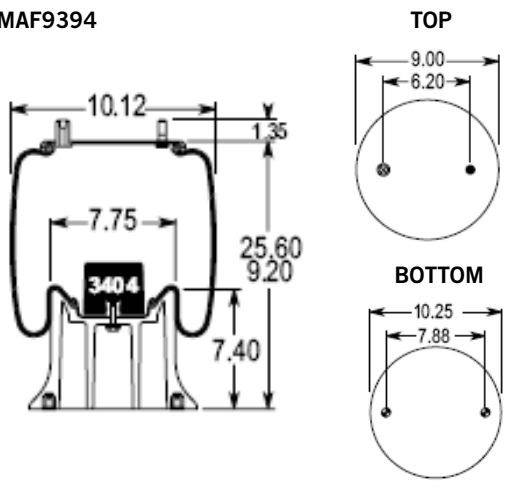
MAF9373



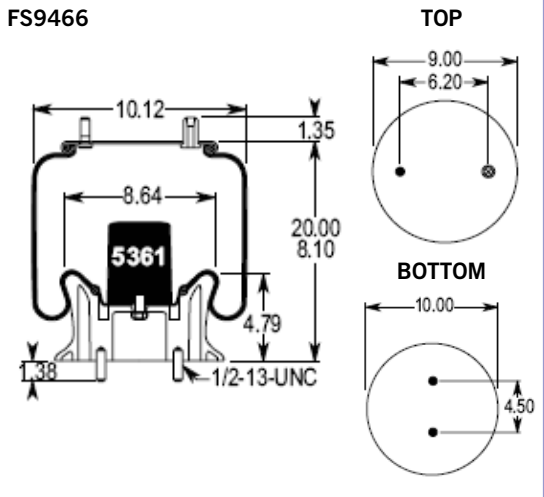
FS9439



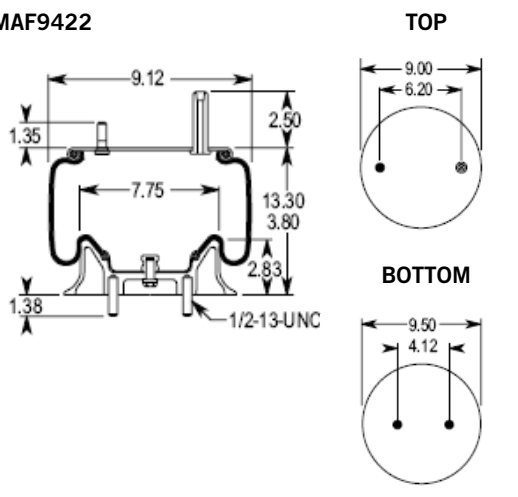
MAF9394



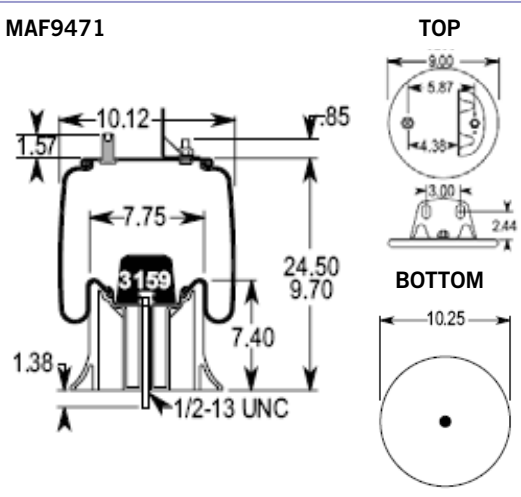
FS9466



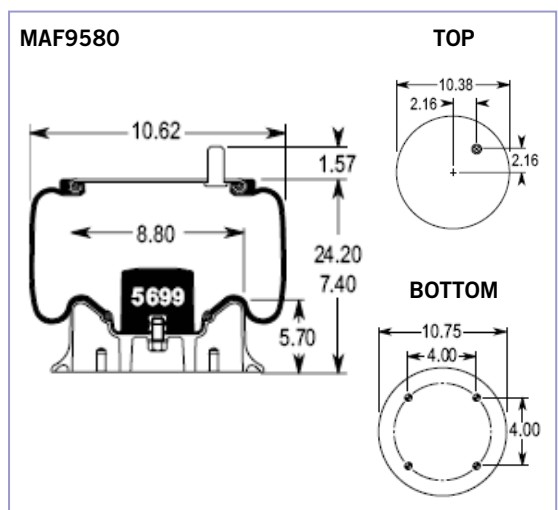
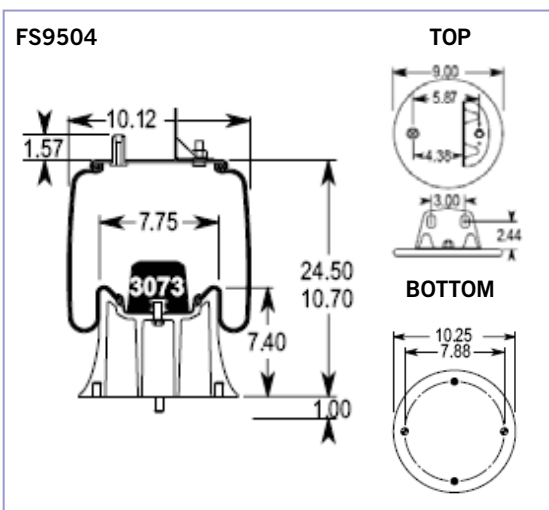
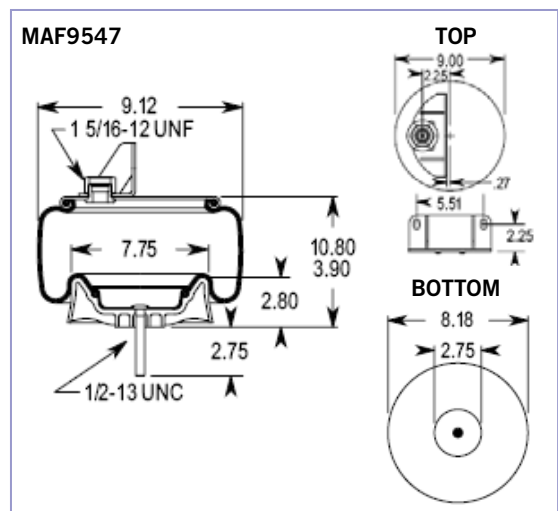
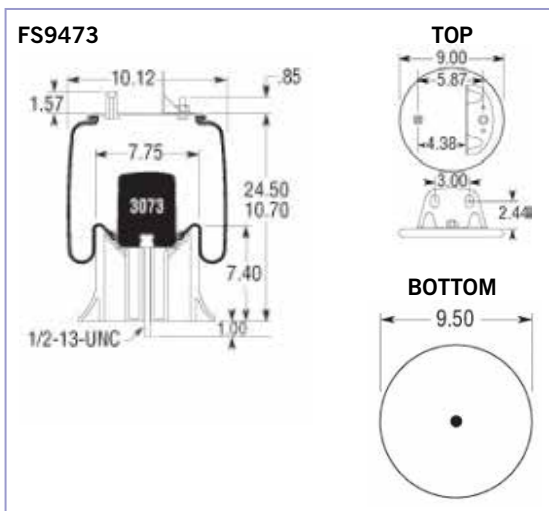
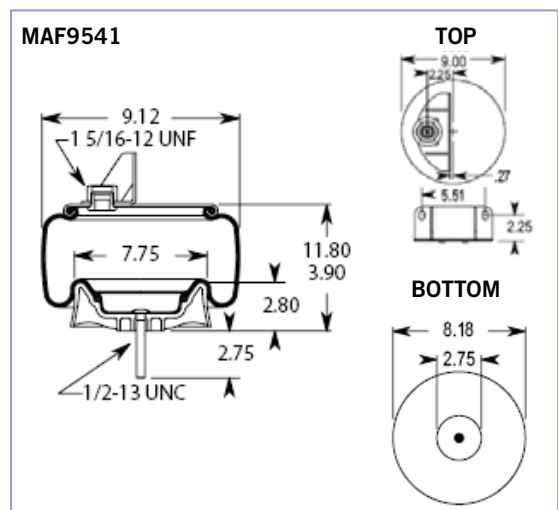
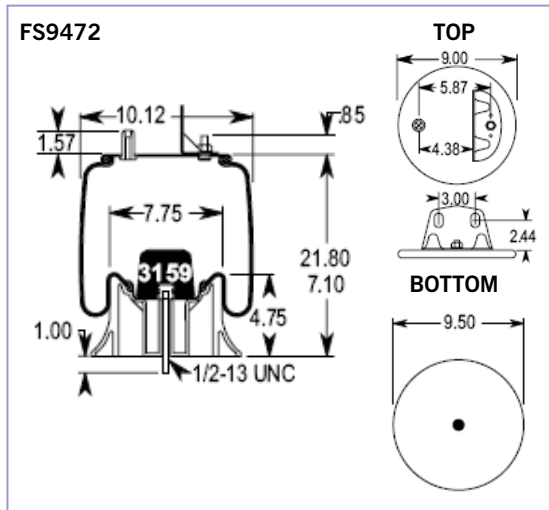
MAF9422



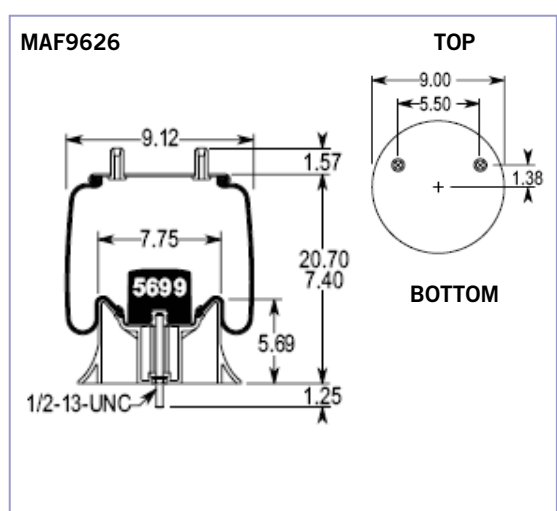
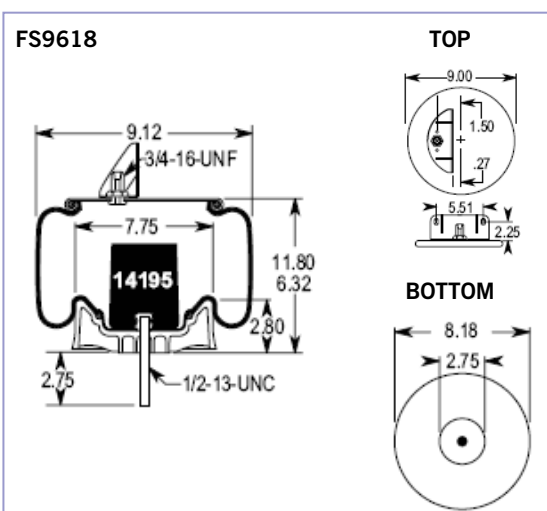
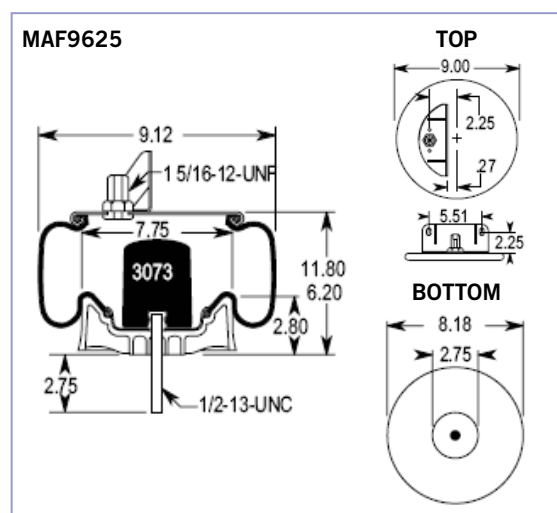
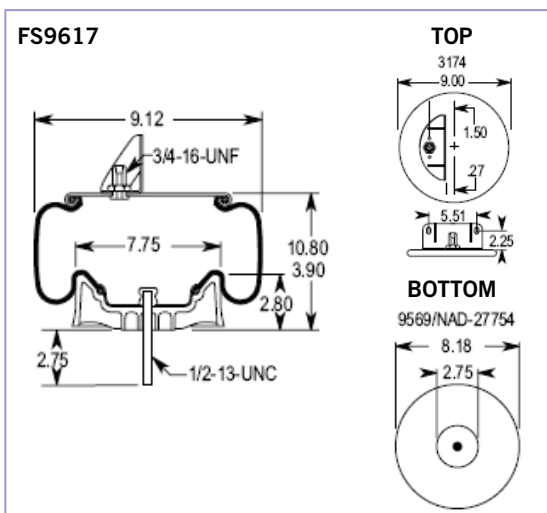
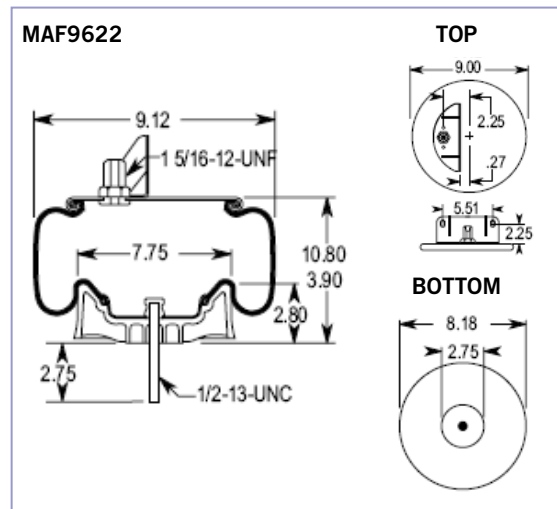
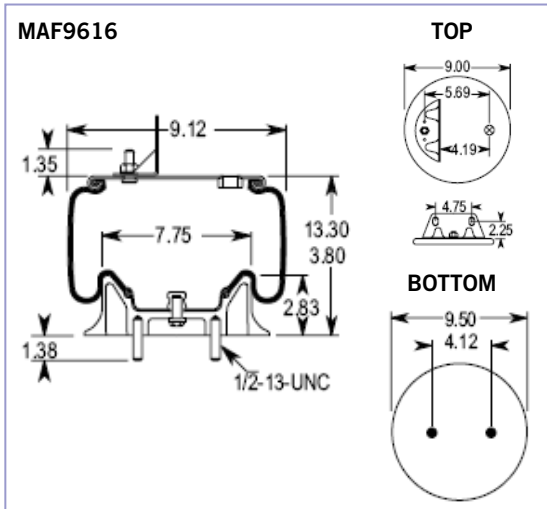
MAF9471



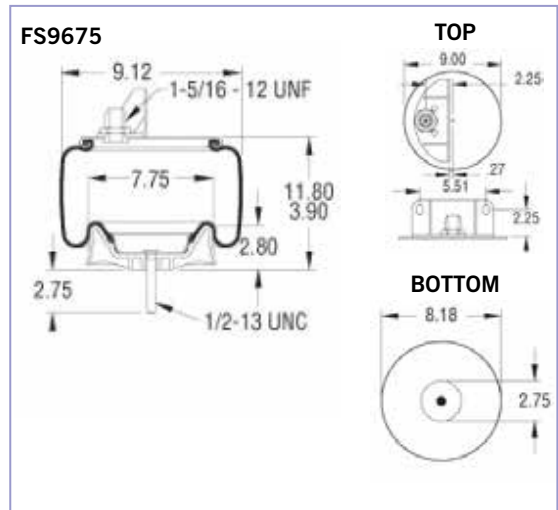
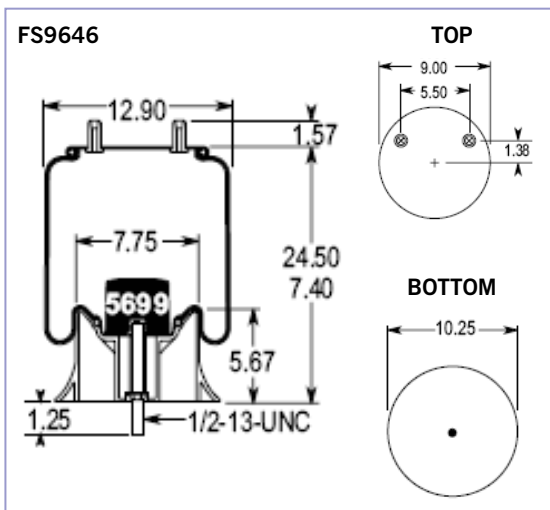
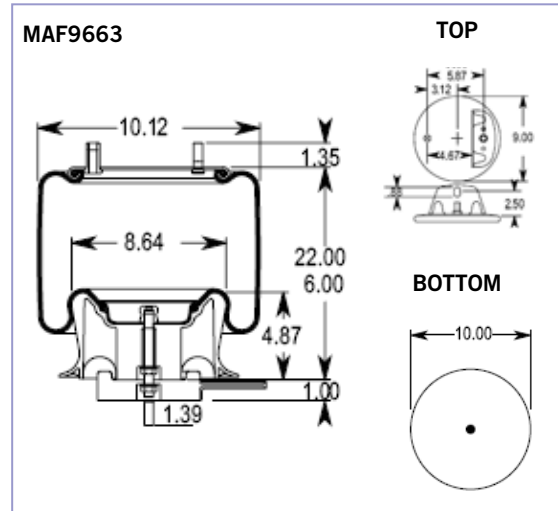
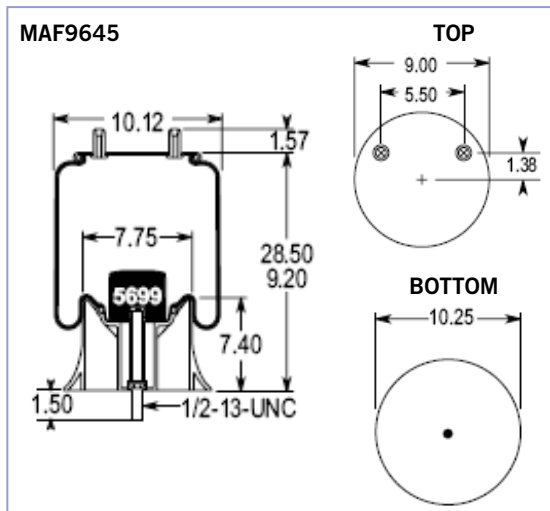
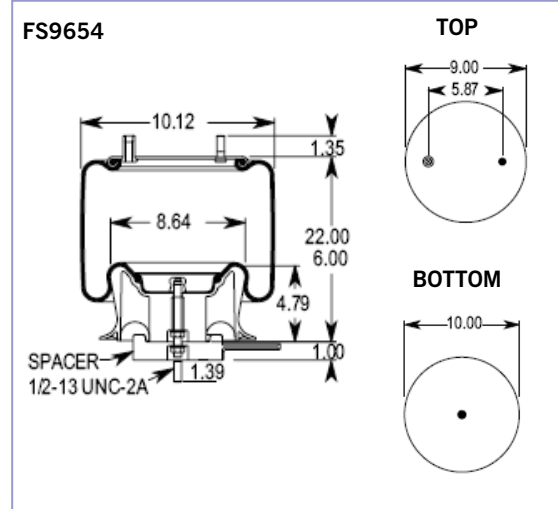
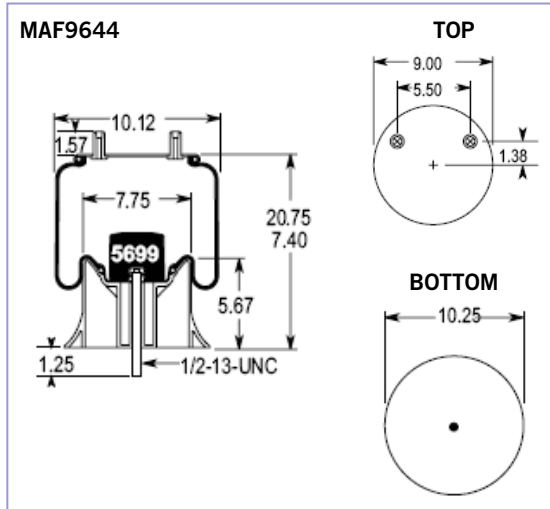
AIR SPRINGS - DIAGRAMS



AIR SPRINGS - DIAGRAMS

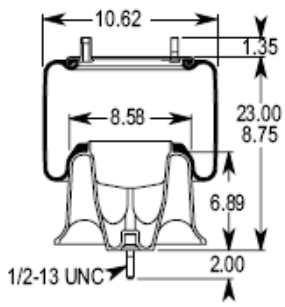


AIR SPRINGS - DIAGRAMS

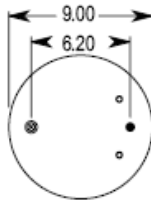


AIR SPRINGS - DIAGRAMS

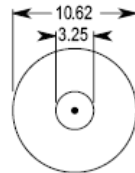
MAF9780



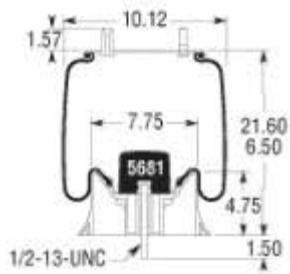
TOP



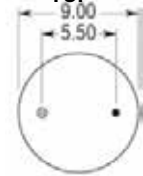
BOTTOM



MAF9921



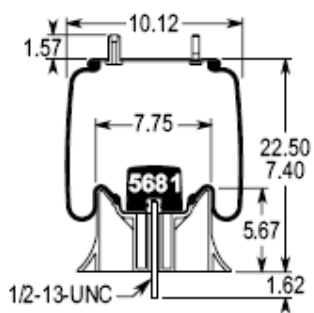
TOP



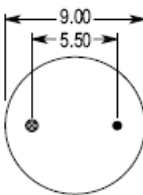
BOTTOM



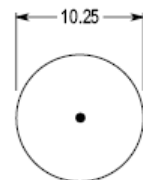
FS9923



TOP

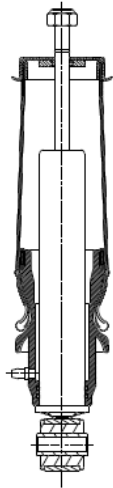


BOTTOM

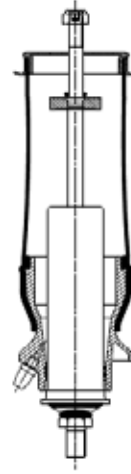


AIR SPRINGS - DIAGRAMS

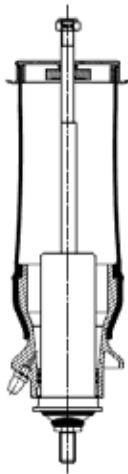
MLF5101



MLF5201



MLF5102



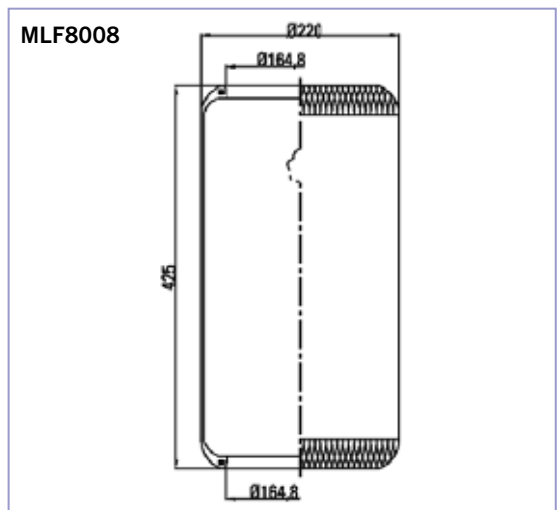
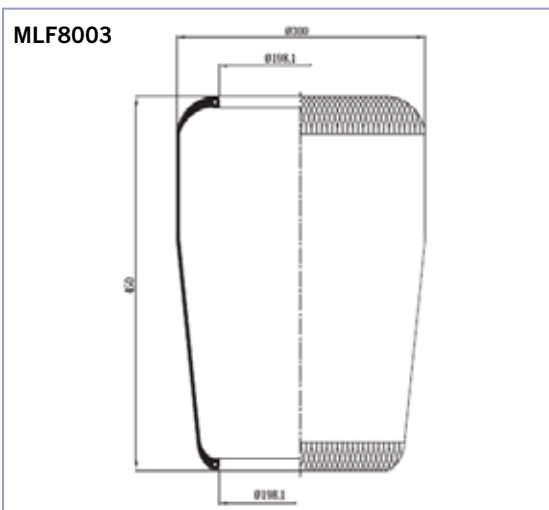
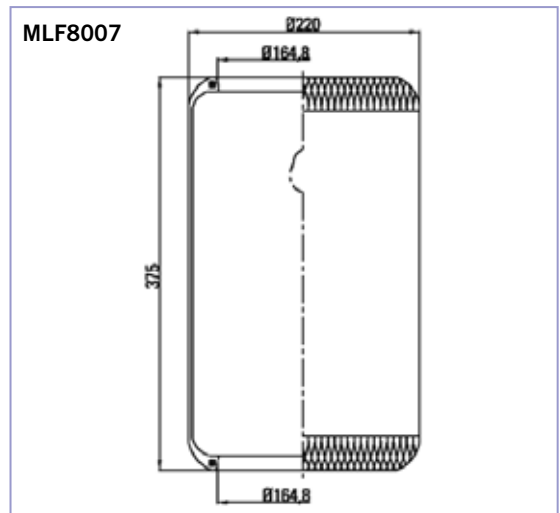
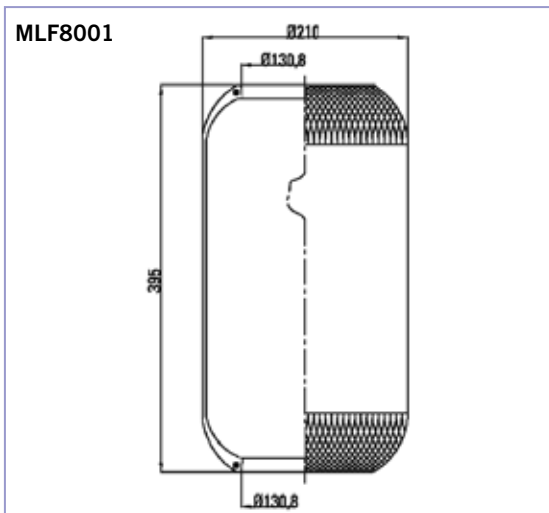
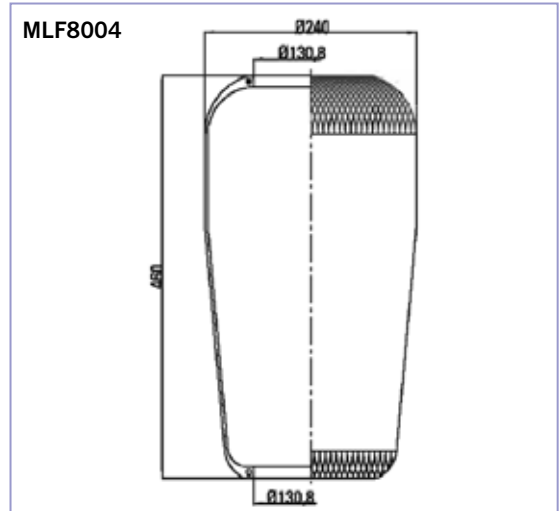
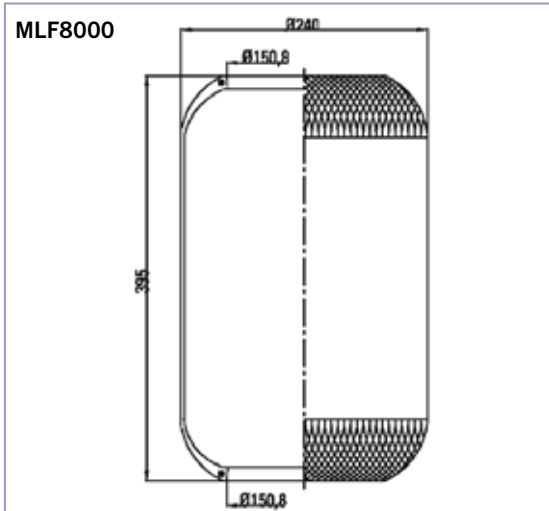
MLF5203



MLF5200

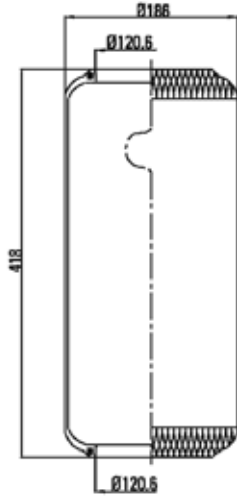


AIR SPRINGS - DIAGRAMS



AIR SPRINGS - DIAGRAMS

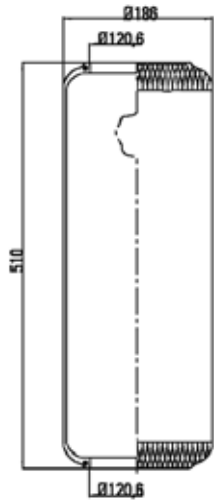
MLF8009



MLF8012



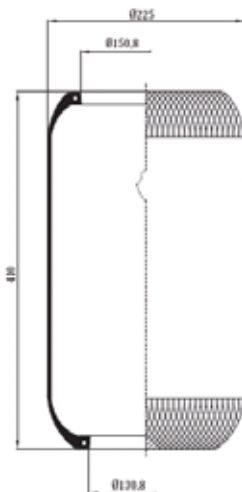
MLF8010



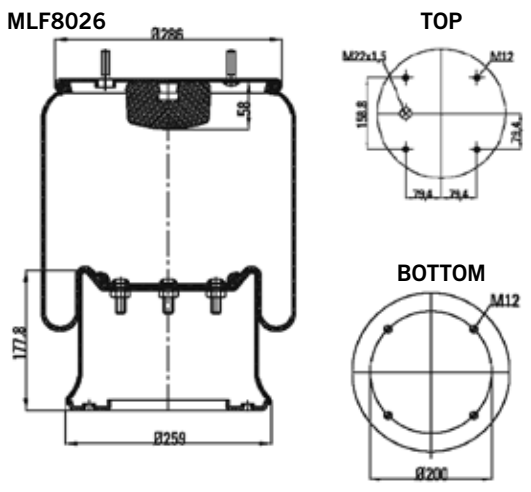
MLF8013



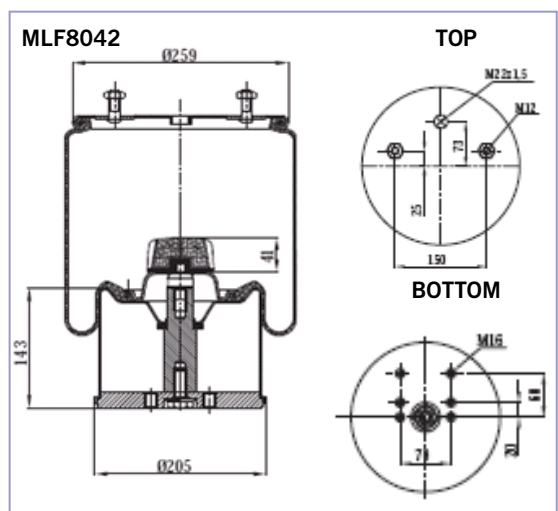
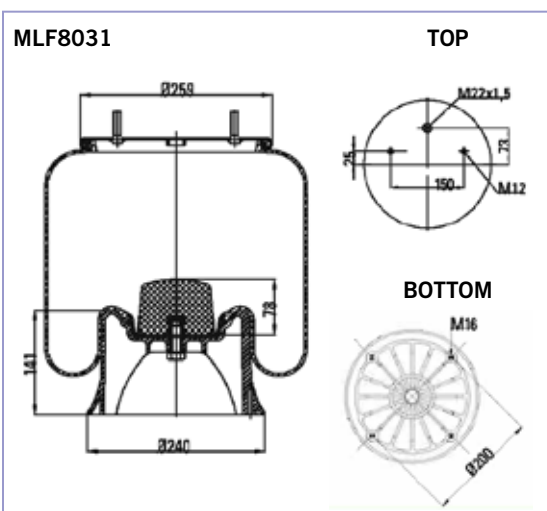
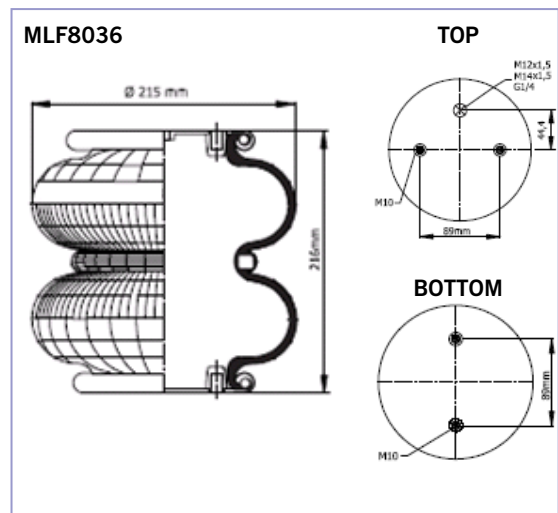
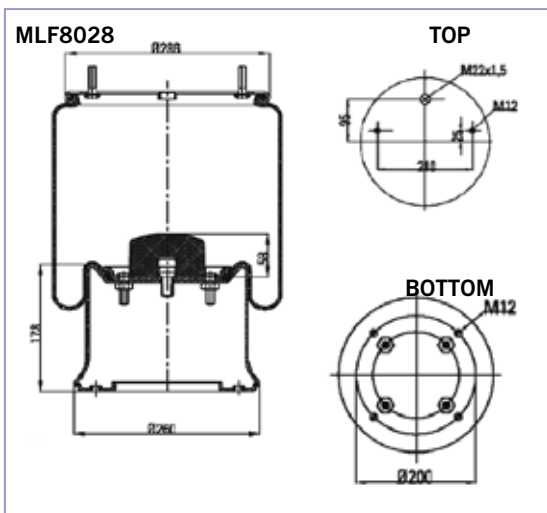
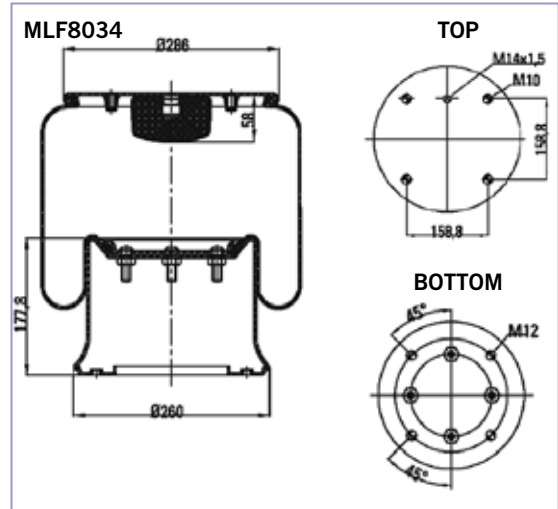
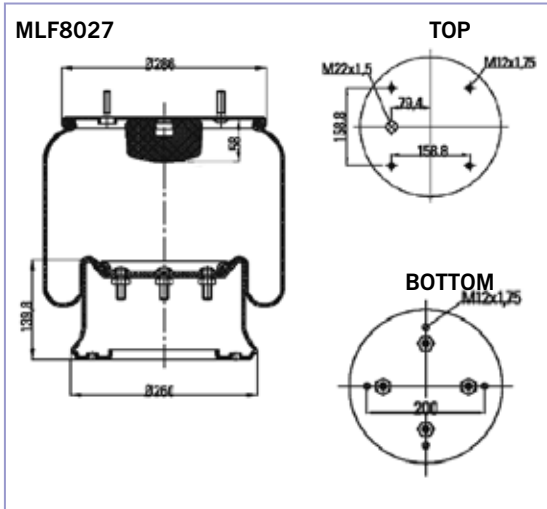
MLF8011



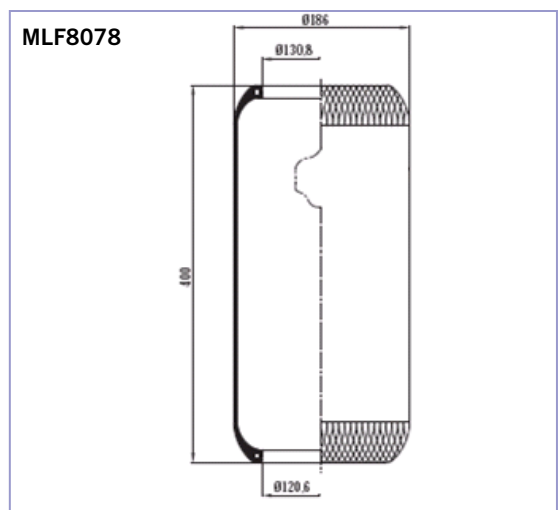
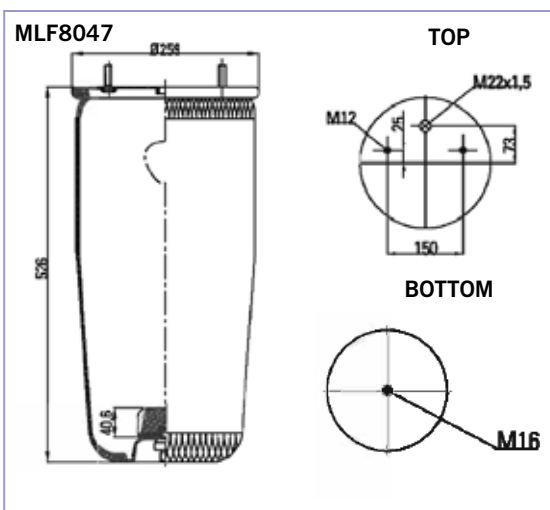
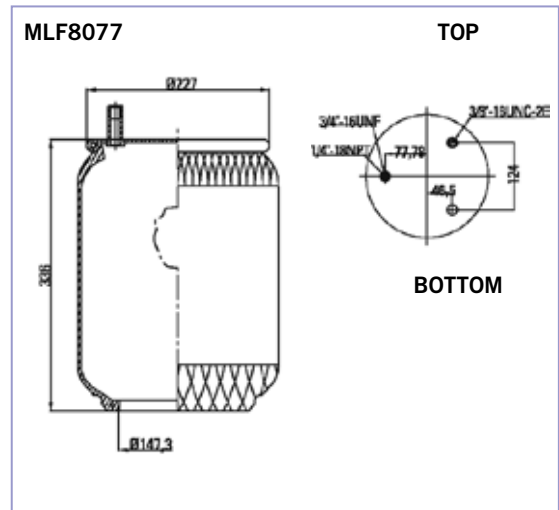
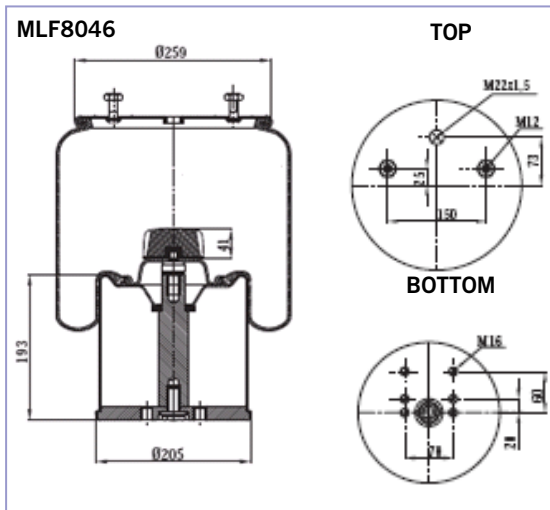
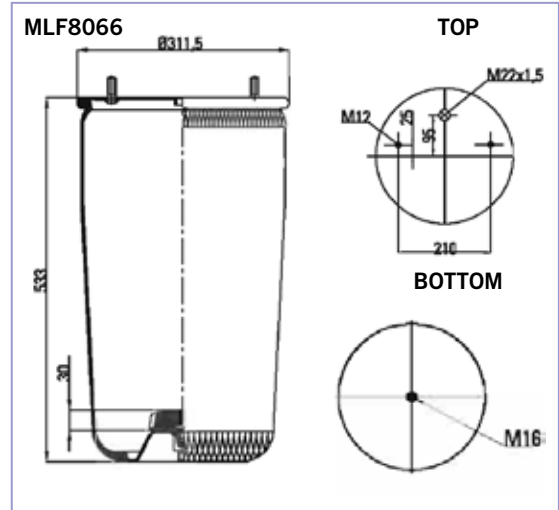
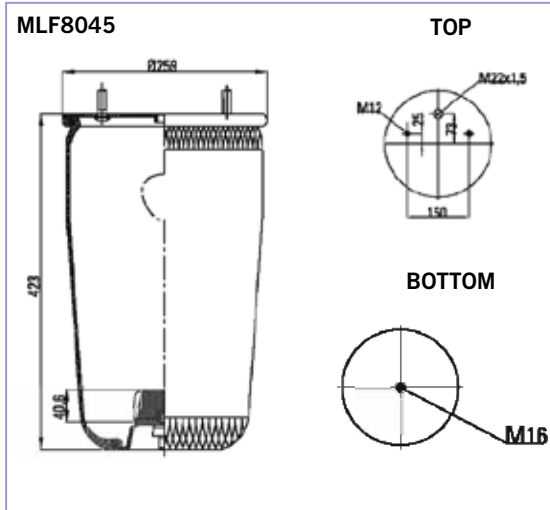
MLF8026



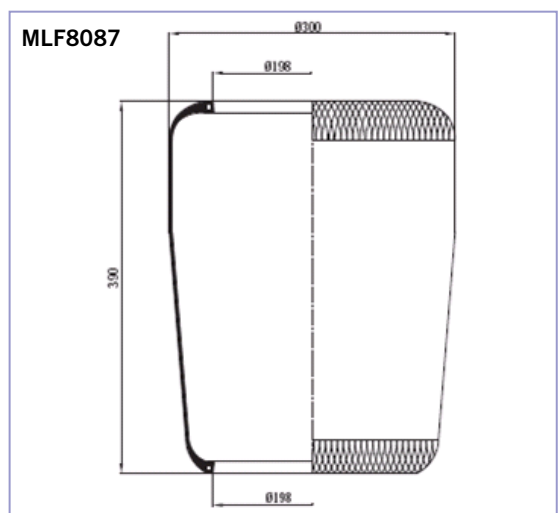
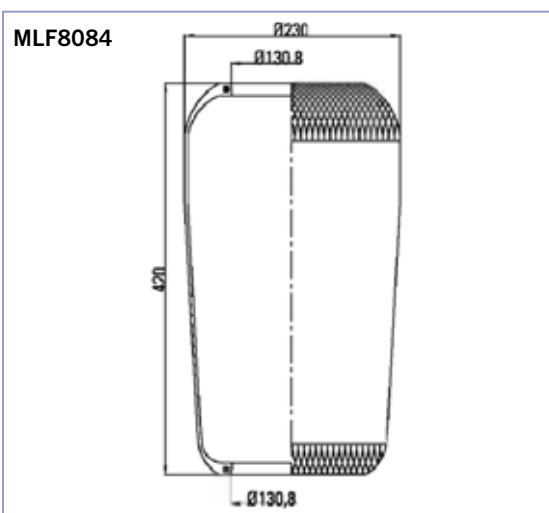
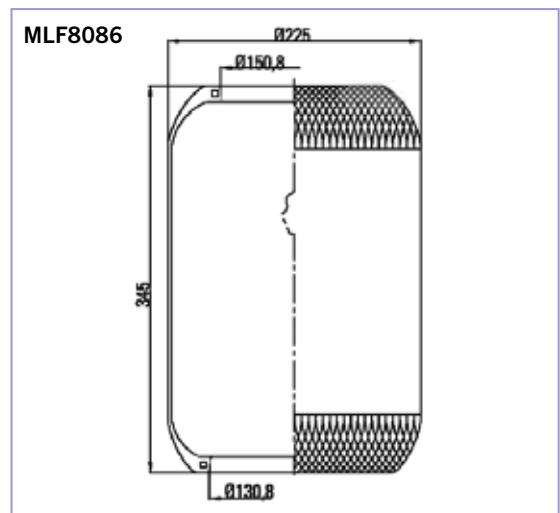
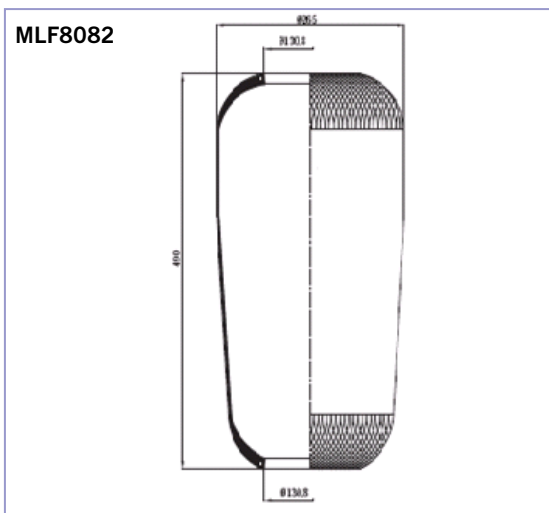
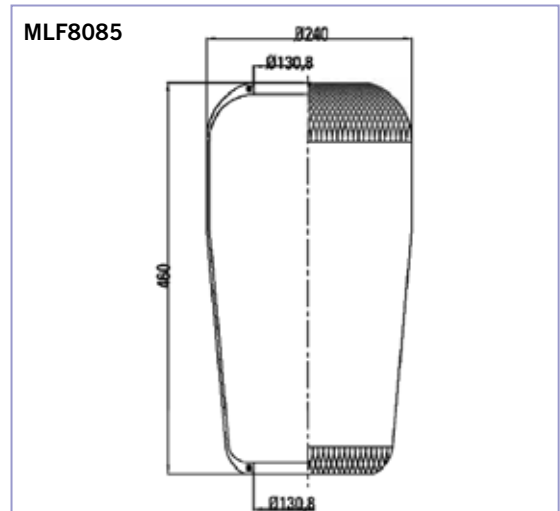
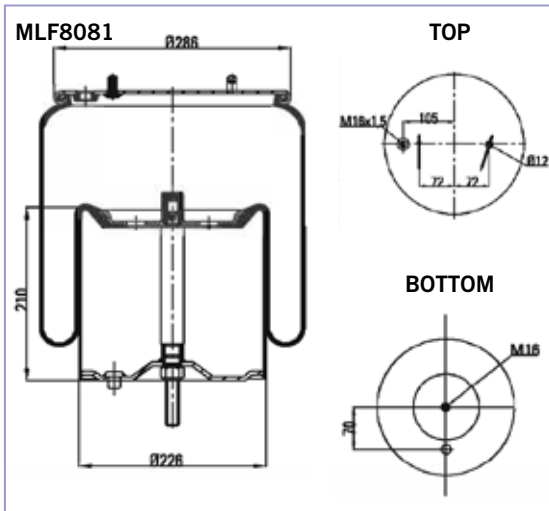
AIR SPRINGS - DIAGRAMS



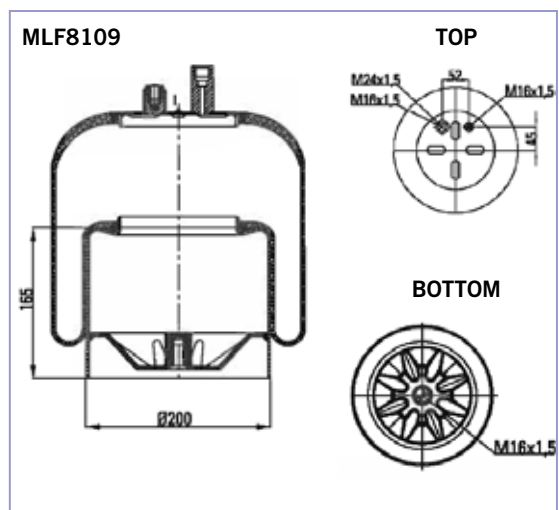
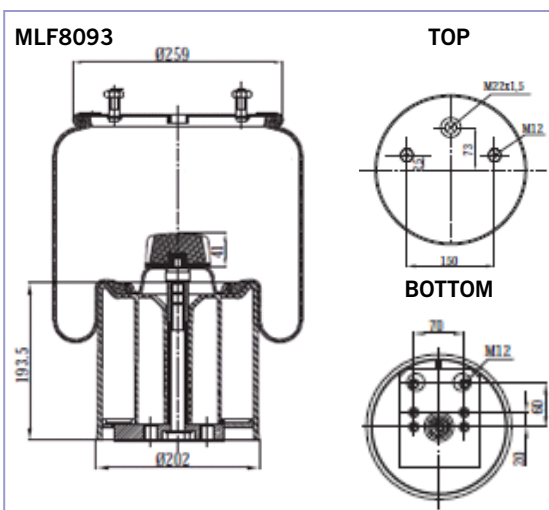
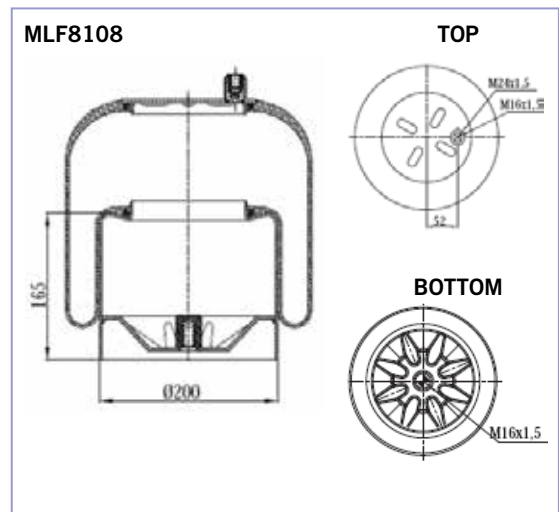
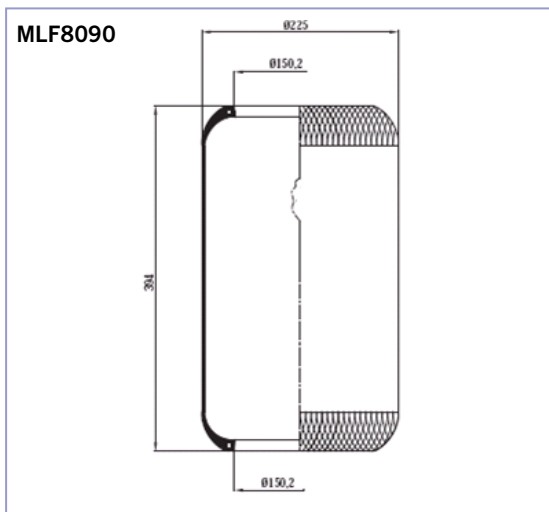
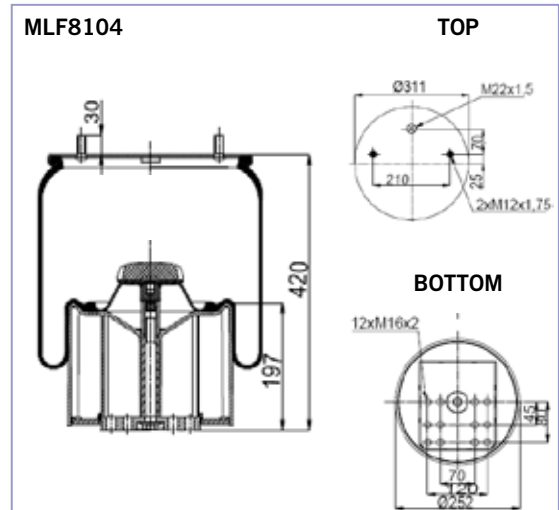
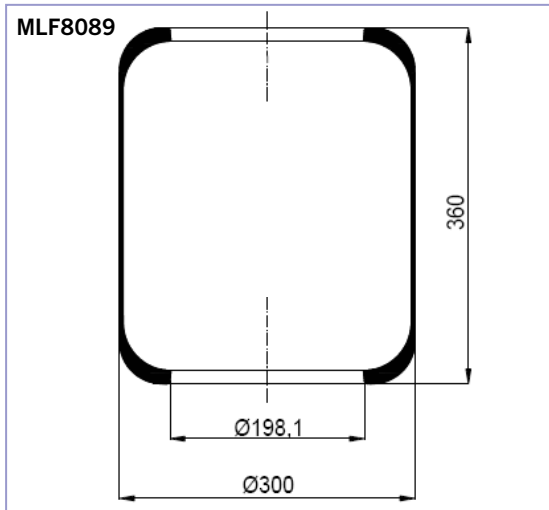
AIR SPRINGS - DIAGRAMS



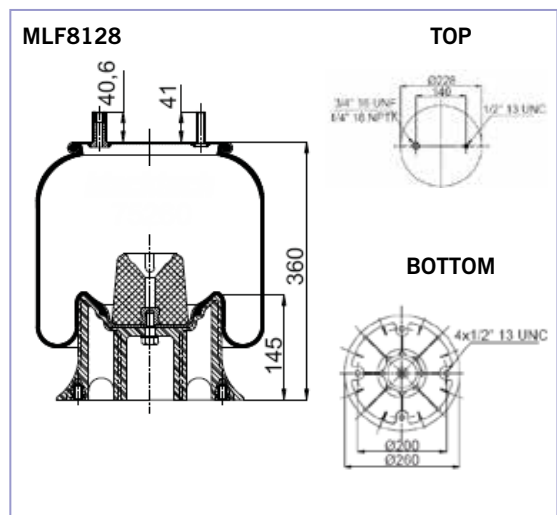
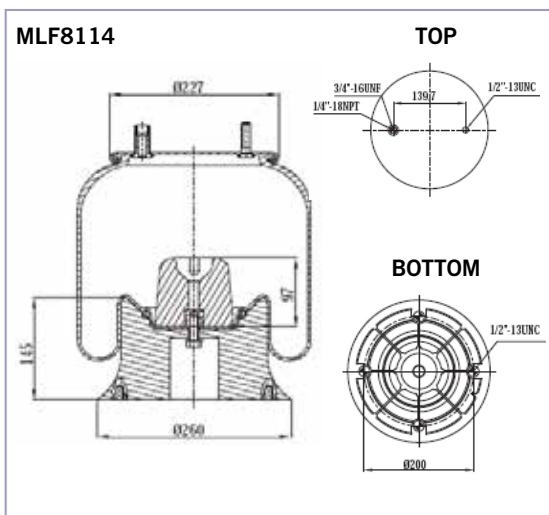
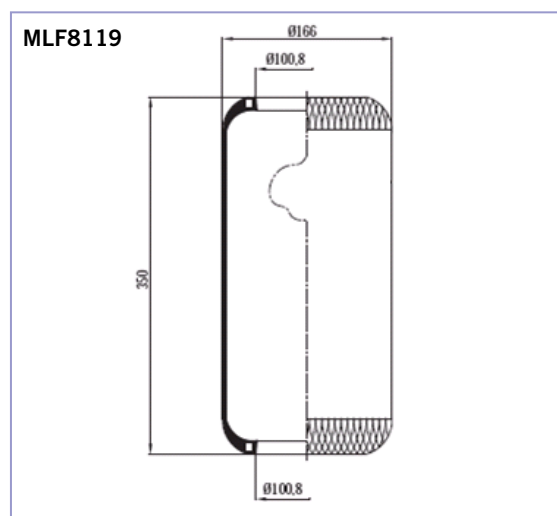
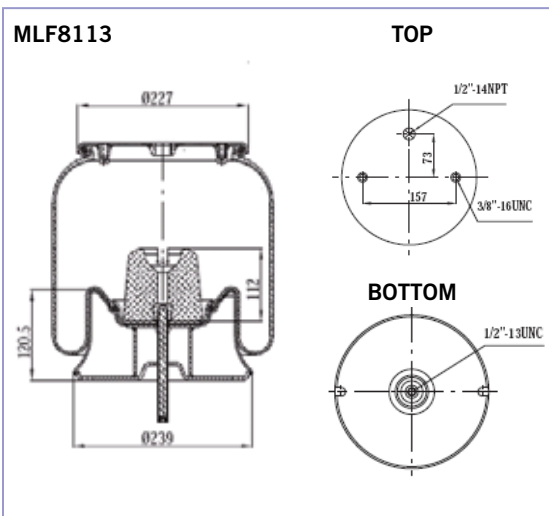
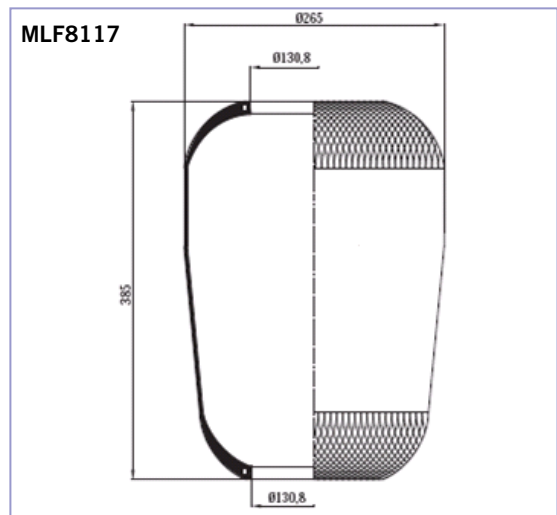
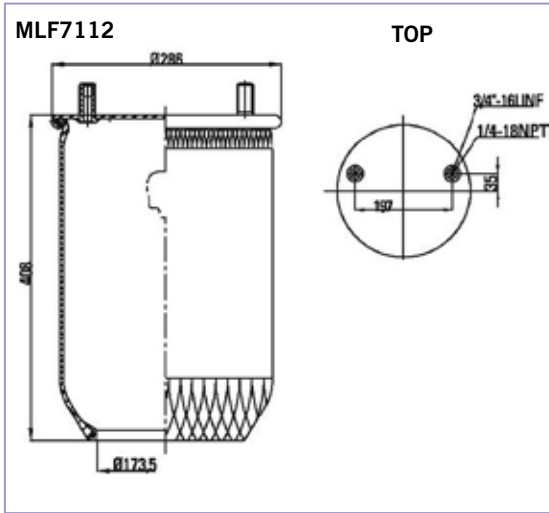
AIR SPRINGS - DIAGRAMS



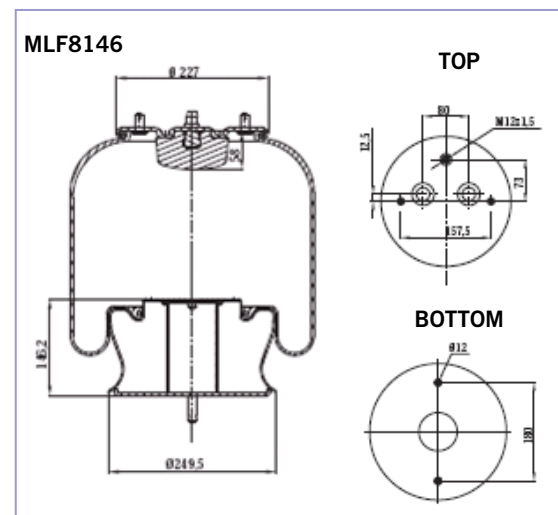
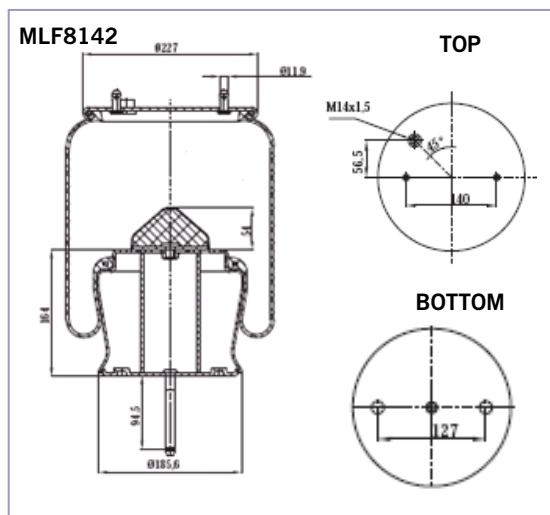
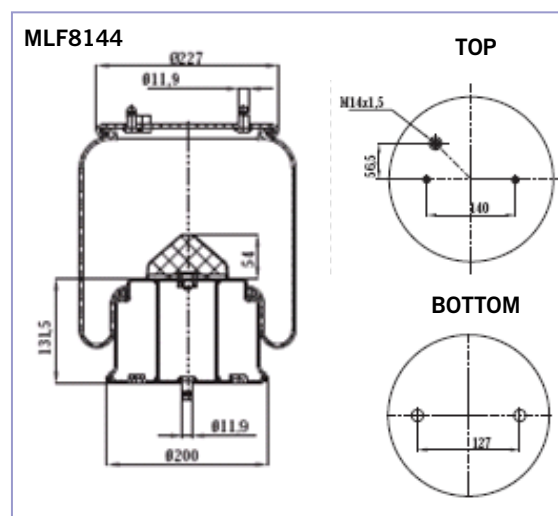
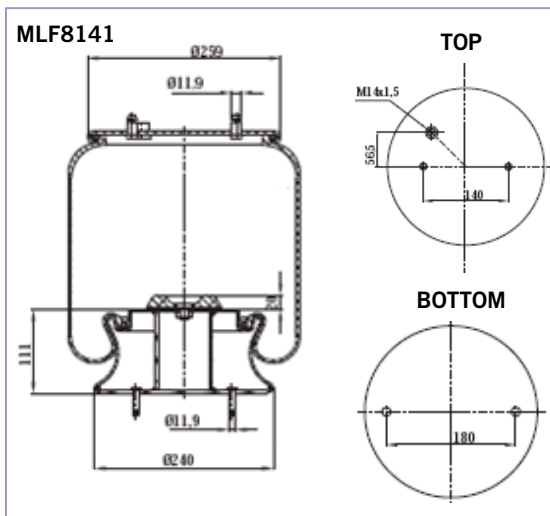
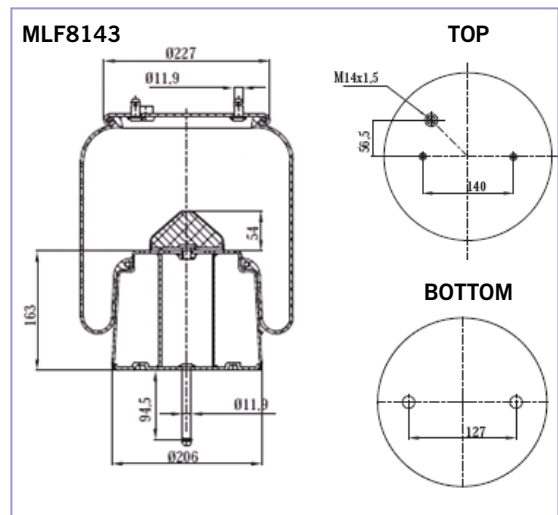
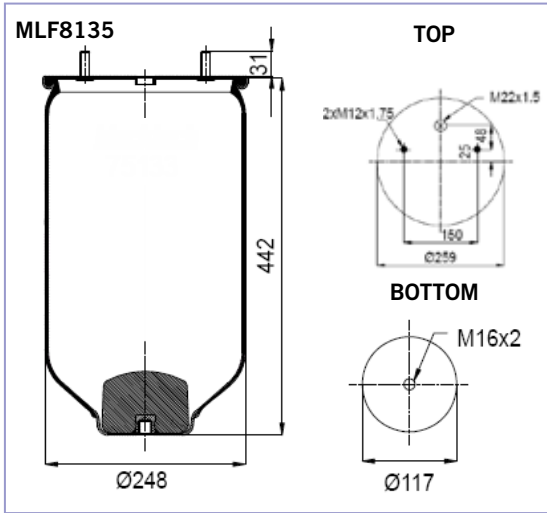
AIR SPRINGS - DIAGRAMS



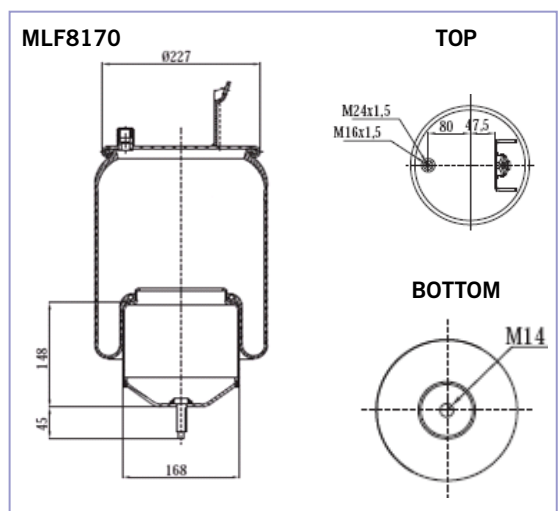
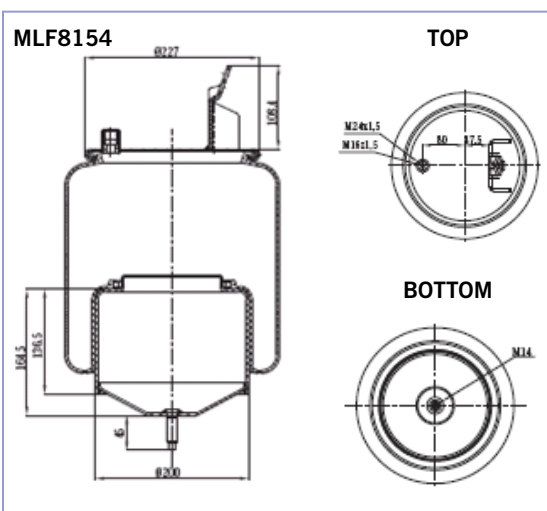
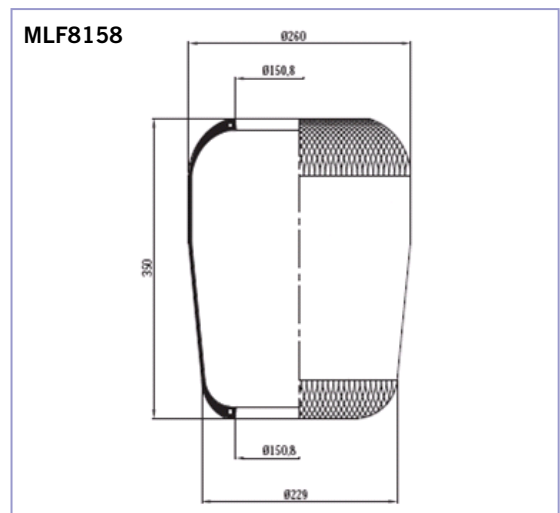
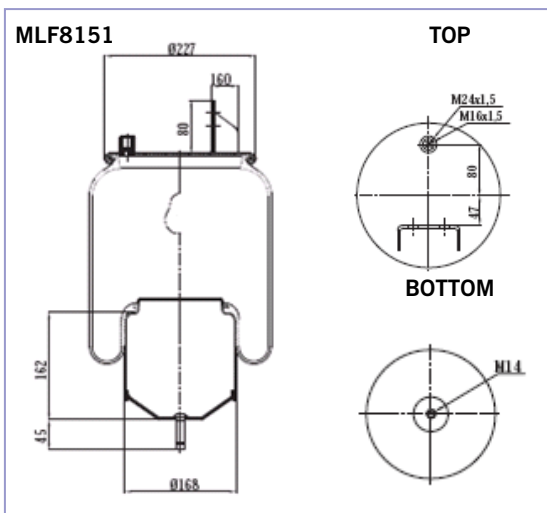
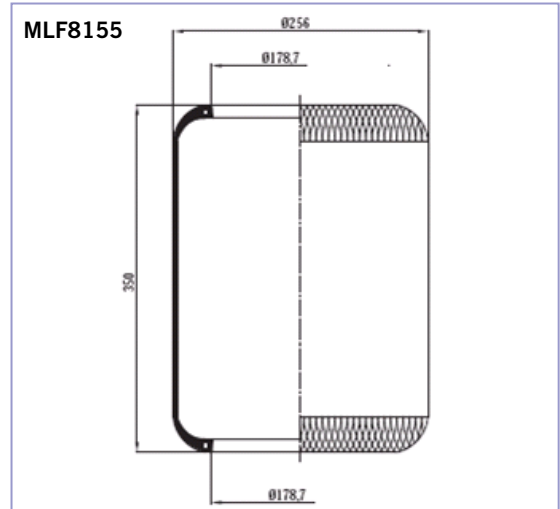
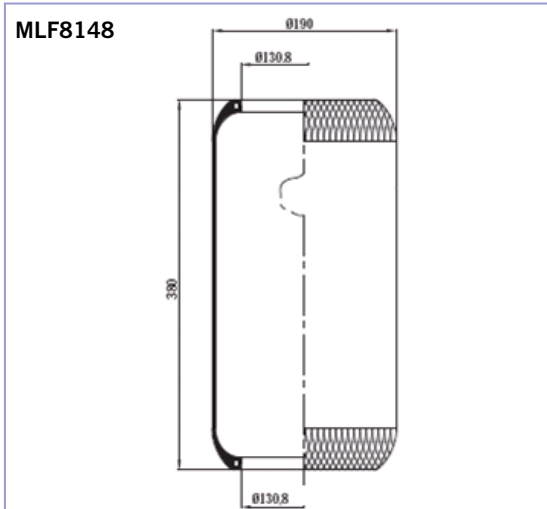
AIR SPRINGS - DIAGRAMS



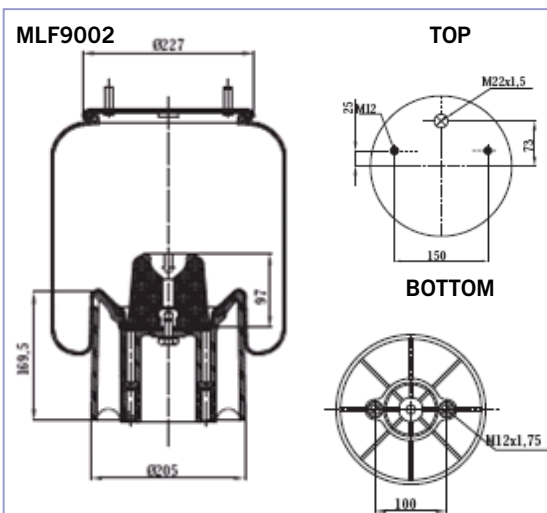
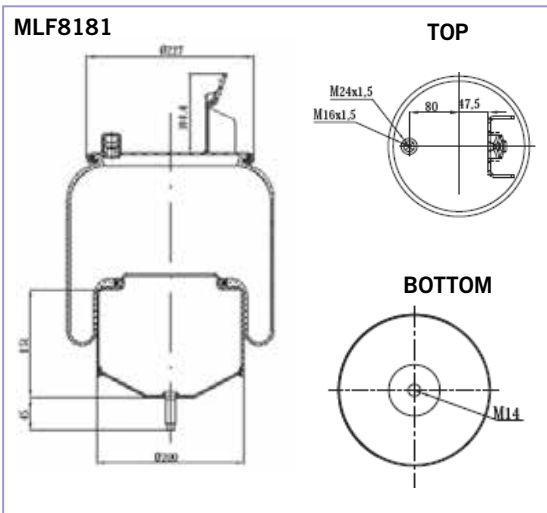
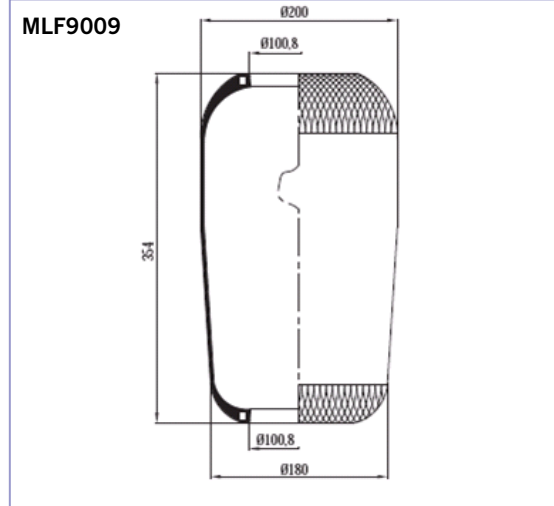
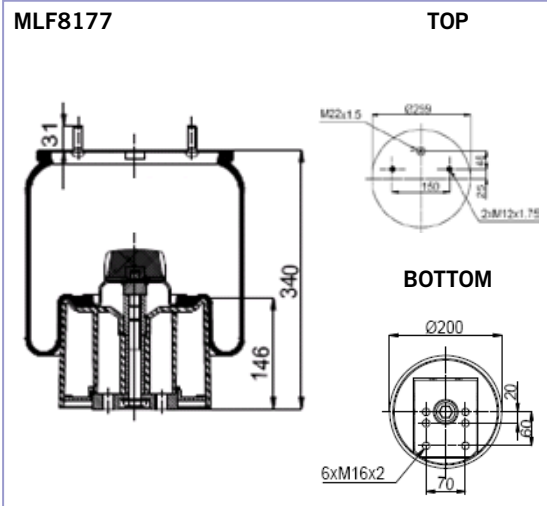
AIR SPRINGS - DIAGRAMS



AIR SPRINGS - DIAGRAMS



AIR SPRINGS - DIAGRAMS





CROSS REFERENCE

COMPETITOR TO MERITOR 61-67
MANUFACTURER TO MERITOR 68-79

COMPETITOR TO MERITOR



AIRTECH PART NUMBER	MERITOR PART NUMBER
3644	MLF8001
3701	MLF8155
3720	MLF8004
3720	MLF8085
3884	MLF8084
3921	MLF8148
101169K	MLF5101
128020K	MLF5203
202186K	MLF5102
202187K	MLF5201
330301K	MLF8141
330304K	MLF8142
330307K	MLF8144
34022K	MLF8031
3415-28	MLF8011
34154-02KPP	FS9010
34157KPP	21221307
34159-12KPP	FS9130
34913K	MLF8081
36199K	MLF8146
36416K	MLF8151
37803K	MLF8154
3810-25K	21208082



COMPETITOR TO MERITOR



ATAP PART NUMBER	MERITOR PART NUMBER
BP1855	FS9296
BP1859	FS9923
BP1818	MLF8004
BP1819	MLF8001
BP1821	MLF8082
BP1822	MLF8010
BP1823	MLF8009
BP1824	MLF8007
BP1825	MLF8086
BP1826	MLF8000
BP1827	MAF8091
BP1828	MAF8709
BP1829	21222442
BP1830	MLF8135
BP1832	FS9473
BP1833	FS8752
BP1834	MLF8084
BP1835	MLF8085
BP1836	MAF9622
BP1837	MAF9625
BP1838	MLF8034
BP1840	MLF8008
BP1842	MAF7555
BP1843	MLF8028
BP1844	MAF9580
BP1845	MAF9471



COMPETITOR TO MERITOR



CONTITECH PART NUMBER	MERITOR PART NUMBER
727 N	MLF8003
762 N	MLF8087
768 N	MLF8117
769 N	MLF8148
786 N	MLF9009
810 MB	MLF8027
813 MB	MLF8026
819 N	MLF8119
881 B	MLF8066
882 N1	MLF8013
884 N	MLF8084
895 N	21222663
896 N (10")	MLF8010
897 N (12")	MLF8008
912 MB	21222673
916 N1	MLF8085
927 N (10")	MLF8009
928 N (12")	MLF8007
940 MB	MLF8042 *
940 MB	MLF8045
940 MB	MLF8177 **
941 MB	MLF8047
941 MB	MLF8046
FD20019 P04 895 N	MLF8036
RZ 415-25	MLF8086
RZ 415-28	MLF8011
RZ 450-25	MLF8090

* Bellows Only
 ** Complete Assembly

CONTITECH PART NUMBER	MERITOR PART NUMBER
9 10-14 P 959	MAF9978
9 10-17.5 A 930	MAF9974
9 10-17.5 P 548	MAF9935
9 10-17.5 P 443	MAF9921
9 10-13.5 P 874	MAF9807
9 10S-16 A 382	MAF9781
9 10S-16 P 382	MAF9780
9 10-18.5 P 939 (BK)	MAF9663
9 10S-16 P 1068 (BK)	MAF9648
9 10BP-22 P 739	MAF9645
9 10BP-16 P 569	MAF9644
9 10-18.5 P 939 (BK)	MAF9640
9 10S-16 P 1068 (BK)	MAF9626
9 9-10 P 538 (BK)	MAF9625
9 9-9 P 537 (BK)	MAF9622
9 9-12 P 515	MAF9616
10 10-21 P 434	MAF9580
9 9-9 P 859 (BK)	MAF9547
9 9-10 P 861 (BK)	MAF9541
9 10-17.5 P 502	MAF9471
9 9-12 P 563	MAF9448
9 9-12 P 314	MAF9422
9 10-19 P 383	MAF9394
9 10-18.5 P 451 (BK)	MAF9375
9 10-18.5 P 519 (BK)	MAF9373
9 10-18.5 P 521 (BK)	MAF9371
9 10-21 P 448	MAF9370
9 10-21 A 505	MAF9367
9 10-12 P 488	MAF9366
9 10-21 A 361	MAF9321
9 10-10 P 471	MAF9307
9 10-18.5 P 520	MAF9297
9 9K-15 P 424	MAF9293
9 10-13.5 S 433	MAF9270
9 10-19 P 435	MAF9265
9 10-16 P 409	MAF9223
9 10-19 P 326	MAF9192
11 10.5-17 A 377	MAF9144
11 10.5-21 A 313	MAF9122
11 10.5-17 A 317	MAF9121
9 10-12 P 319	MAF9105
9 10-19 P 315	MAF9101
9 10-16 P 310	MAF9082
9 10-14 P 312	MAF9069
9 10-10 P 311	MAF9039
9 10-16 P 393	MAF9026



COMPETITOR TO MERITOR



CONTITECH PART NUMBER	MERITOR PART NUMBER
9 10-17.5 P 436	MAF8944
9 10-19 P 898	MAF8864
9 10-19 P 552	MAF8855
9 10-19 P 472	MAF8852
9 10-16 P 449	MAF8829
9 10-14 P 577	MAF8813
10 10-15 S 871	MAF8782
11 10.5F-17 P 745	MAF8774
10 10-15 S 522	MAF8755
10 10-15 S 773	MAF8740
10 10A-12 1330	MAF8729
10 10-16 S 533	MAF8713
10 10.5-15 P 460	MAF8709
10 10-16 S 526	MAF8708
9 10-12 P 484	MAF8204
11 10.5A-16 P 523	MAF8091
11 10.5C-16 A 320	MAF8050
FT 330-29 790	MAF8042
FT 330-29 525	MAF8033
FT 330-29 413	MAF8032
FT 330-29 466	MAF8027
FT 330-29 431	MAF8008
FT 330-29 520	MAF7996
FD 200-22 524	MAF7897
FT 530-32 336	MAF7808
FT 530-32 535	MAF7797
FD 200-19 713	MAF7795
FD 331-26 480	MAF7555
FD 330-30 371	MAF7472
FD 330-22 327	MAF7424
FD 330-22 331	MAF7410
FD 330-22 318	MAF7403
FD 330-22 313	MAF7400
SC31-Y215	MAF7215
SC31-W206	MAF7206
SC31-Y205	MAF7205
FD 530-22 321	MAF7136
FD 530-22 311	MAF7135
SC29-Y036	MAF7036
FD 200-19 499	MAF6935
FD 200-25 453	MAF6927
FD 200-19 320	MAF6910
FD 200-19 315	MAF6905
FD 200-19 310	MAF6902
FD 200-19 505	MAF6897
FD 530-30 451	MAF6801

CONTITECH PART NUMBER	MERITOR PART NUMBER
6 6.5-13 S 559	MAF5423
9 10S-18 P 1067 (BK)	MAF1191



COMPETITOR TO MERITOR



FIRESTONE PART NUMBER	MERITOR PART NUMBER
W013589978	MAF9978
W013589974	MAF9974
W013589935	MAF9935
W013589921	MAF9921
W013589807	MAF9807
W013589781	MAF9781
W013589780	MAF9780
W013589663	MAF9663
W013589648	MAF9648
W013589645	MAF9645
W013589644	MAF9644
W013589640	MAF9640
W013589626	MAF9626
W013589625	MAF9625
W013589622	MAF9622
W013589616	MAF9616
W013589580	MAF9580
W013589547	MAF9547
W013589541	MAF9541
W013589471	MAF9471
W013589448	MAF9448
W013589422	MAF9422
W013589394	MAF9394
W013589375	MAF9375
W013589373	MAF9373
W013589371	MAF9371
W013589370	MAF9370
W013589367	MAF9367
W013589366	MAF9366
W013589321	MAF9321
W013589307	MAF9307
W013589297	MAF9297
W013589293	MAF9293
W013589270	MAF9270
W013589265	MAF9265
W013589223	MAF9223
W013589192	MAF9192
W013589144	MAF9144
W013589122	MAF9122
W013589121	MAF9121
W013589105	MAF9105
W013589101	MAF9101
W013589082	MAF9082
W013589069	MAF9069
W013589039	MAF9039
W013589026	MAF9026
W013588944	MAF8944

FIRESTONE PART NUMBER	MERITOR PART NUMBER
W013588864	MAF8864
W013588855	MAF8855
W013588852	MAF8852
W013588829	MAF8829
W013588813	MAF8813
W013588782	MAF8782
W013588774	MAF8774
W013588755	MAF8755
W013588740	MAF8740
W013588729	MAF8729
W013588713	MAF8713
W013588709	MAF8709
W013588708	MAF8708
W013588204	MAF8204
W013588091	MAF8091
W013588050	MAF8050
W013588042	MAF8042
W013588033	MAF8033
W013588032	MAF8032
W013588027	MAF8027
W013588008	MAF8008
W013587996	MAF7996
W013587897	MAF7897
W013587808	MAF7808
W013587797	MAF7797
W013587795	MAF7795
W013587555	MAF7555
W013587472	MAF7472
W013587424	MAF7424
W013587410	MAF7410
W013587403	MAF7403
W013587400	MAF7400
W023587215	MAF7215
W023587206	MAF7206
W023587205	MAF7205
W013587136	MAF7136
W013587135	MAF7135
W023587036	MAF7036
W013586935	MAF6935
W013586927	MAF6927
W013586910	MAF6910
W013586905	MAF6905
W013586902	MAF6902
W013586897	MAF6897
W013586801	MAF6801
W013585423	MAF5423
W013581191	MAF1191



COMPETITOR TO MERITOR



FIRESTONE PART NUMBER	MERITOR PART NUMBER
W01 095 0021	MLF8000
W01 095 0087	MLF8158
W01 095 0118	MLF8001
W01 095 0190	MLF8087
W01 095 0191	MLF8003
W01 095 0195	MLF8004
W01 095 0207	MLF8089
W01 095 0213	MLF8117
W01 095 0228	MLF8007
W01 095 0229	MLF8008
W01 095 0244	MLF8009
W01 095 0245	MLF8010
W01 095 0295	MLF8084
W01 095 0381	MLF8086
W01 095 0382	MLF8011
W01 095 0382	MLF8090
W01 095 0429	MLF8012
W01 095 0435	MLF8013
W01 095 0436	MLF9009
W01 095 0453	MLF8078
W01 095 0472	MLF8082
W01 095 0500	MLF8081
W01 358 7555	MAF7555
W01 358 8050	MLF7112
W01 358 8091	MAF8091

FIRESTONE PART NUMBER	MERITOR PART NUMBER
W01 358 8709	MAF8709
W01 358 8752	FS8752
W01 358 8774	MAF8774
W01 358 9010	FS9010
W01 358 9039	MAF9039
W01 358 9069	MLF8113
W01 358 9082	MLF8114
W01 358 9101	MLF7115
W01 358 9144	MAF9144
W01 358 9223	MAF9223
W01 358 9265	MAF9265
W01 358 9270	MLF8077
W01 358 9270	MAF9270
W01 358 9287	FS9287
W01 358 9296	FS9296
W01 358 9371	MAF9371
W01 358 9373	MAF9373
W01 358 9391	21223269
W01 358 9394	FS9130
W01 358 9394	MAF9394
W01 358 9422	MAF9422
W01 358 9466	FS9466
W01 358 9471	MAF9471
W01 358 9472	FS9472
W01 358 9473	FS9473
W01 358 9504	FS9504
W01 358 9541	MAF9541
W01 358 9547	MAF9547
W01 358 9579	FS9579
W01 358 9580	MAF9580
W01 358 9616	MAF9616



COMPETITOR TO MERITOR



GOODYEAR PART NUMBER	MERITOR PART NUMBER
8014	MLF8004
8028	MLF8008
8037	MLF8009
8040	MLF8010
8042	MLF8007
9002	MLF8084
9004	MLF8086
9048	MLF8013
9506	MLF8109
1R11-028	MAF9422
1R11-106	21222442
1R11-111	21221307
1R11-219	FS9617
1R11-220	FS9618
1R11-221	MAF9622
1R11-222	MAF9625
1R11-242	MAF9616
1R11-700	MLF8047
1R11-703	MLF8045
1R11-709	MLF8135
1R11-743	MLF8093
1R11-762	MLF8046
1R11-763	MLF8042
1R12-069	MLF8113
1R12-092	MLF8114
1R12-095	MAF9039
1R12-103	MLF7115
1R12-167	MLF7128
1R12-188	MAF9223

GOODYEAR PART NUMBER	MERITOR PART NUMBER
-	MAF9978
1R121048	MAF9974
1R12532	MAF9935
1R12502	MAF9921
1R121047	MAF9807
1R12603	MAF9781
1R12186	MAF9780
-	MAF9663
1R12398	MAF9648
-	MAF9645
-	MAF9644
1R12367	MAF9640
-	MAF9626
1R11222	MAF9625
1R11221	MAF9622
1R11242	MAF9616
1R13118	MAF9580
1R11268	MAF9547
1R11268	MAF9541
1R12372	MAF9471
1R11150	MAF9448
1R11028	MAF9422
1R12142	MAF9394
1R12404	MAF9375
1R12403	MAF9373
1R12199	MAF9371
1R12440	MAF9370
1R12256	MAF9367
1R12487	MAF9366
1R12256	MAF9321
1R12095	MAF9307
1R12402	MAF9297
1R10120	MAF9293
1R12225	MAF9270
1R12375	MAF9265
1R12188	MAF9223
1R12167	MAF9192
1R13047	MAF9144
1R13038	MAF9122
1R11918	MAF9121
1R12132	MAF9105
1R12076	MAF9101
1R11917	MAF9082
1R12069	MAF9069
1R12095	MAF9039



COMPETITOR TO MERITOR



GOODYEAR PART NUMBER	MERITOR PART NUMBER
1R12567	MAF9026
1R12366	MAF8944
-	MAF8864
1R12613	MAF8855
1R12568	MAF8852
1R12405	MAF8829
-	MAF8813
1R13109	MAF8782
1R14172	MAF8774
1R13124	MAF8755
1R13210	MAF8740
1R13130	MAF8729
1R13176	MAF8713
1R13159	MAF8709
1R13128	MAF8708
1R12508	MAF8204
1R14171	MAF8091
1R14039	MAF8050
3B12322	MAF8042
3B12312	MAF8033
3B12315	MAF8032
3B12310	MAF8027
3B12300	MAF8008
3B12335	MAF7996
-	MAF7897
3B14350	MAF7808
-	MAF7797
2B10226	MAF7795
2B12440	MAF7555
2B12434	MAF7472

GOODYEAR PART NUMBER	MERITOR PART NUMBER
2B10300	MAF7424
2B12406	MAF7410
2B10307	MAF7403
2B10309	MAF7400
1S5175	MAF7215
1S5176	MAF7206
1S5175	MAF7205
2B14356	MAF7136
2B14360	MAF7135
1S5186	MAF7036
2B9201	MAF6935
2B09218	MAF6927
2B09200	MAF6910
2B09206	MAF6905
2B09201	MAF6902
2B09229	MAF6897
2B14365	MAF6801
-	MAF5423
1R12432	MAF1191



COMPETITOR TO MERITOR



GOODYEAR PART NUMBER	MERITOR PART NUMBER
1S4-007	FS7031
2B 9-201	21222663
2B12-406	MAF7410
2B12-440	MAF7555
8017-E	MLF8001
PHOENIX PART NUMBER	MERITOR PART NUMBER
2E18A	MLF8010
2E18B	MLF8009
2E23A	MLF8007
2G20A	MLF8011
POWERDOWN PART NUMBER	MERITOR PART NUMBER
64255	MAF9422
64258	FS9010
64260	MAF9039
64265	MAF9373
64266	MAF9780
64269	MLF8114
64277	FS9466
64278	FS9923
64284	MAF7555
64287	MLF8077
64287	MAF9270
64288	MAF9265
64290	MAF9371
64310	FS9296
64323	MLF7128
64327	FS9130
64347	MAF9144
64402	MAF9921
64405	FS9936
64409	MAF9471
64412	MAF9935
64418	FS9473
64421	MAF8091
64645	MAF8709



COMPETITOR TO MERITOR



POWERDOWN PART NUMBER	MERITOR PART NUMBER
64693	MAF9644
64694	FS9646
64695	MAF9645
64745	MLF7112
65367	FS9617
65389	FS9618
66109	MAF9547
66111	MAF9541
POWERDOWN PART NUMBER	MERITOR PART NUMBER
66447	FS9579
67452	MAF7206
67573	MAF9663
67600	FS8752
67766	FS7201
67768	FS7064
67770	FS7001





ACKERMANN	
OE PART NUMBER	MERITOR PART NUMBER
2680662000	MLF8089
AIRGLIDE	
OE PART NUMBER	MERITOR PART NUMBER
C81-1004	MAF9547
C81-1005	MAF9541
K-303-16	MAF9616
K-303-18	FS9617
K-303-19	FS9618
K-303-22	MAF9622
K-303-25	MAF9625
K-303-28	FS9675
AUWÄRTER	
OE PART NUMBER	MERITOR PART NUMBER
1001 12 254	MLF8001
1001.10.100	MLF8000
1001.102.00	MLF8089
1001.102.251	MLF8089
1001.103.00	MLF8001
1001.12.254	MLF8001
1001.12.300	MLF8004
1001.122.50	MLF8000
1021.00.300	MLF8087
1021.002.00	MLF8000
AA 10 - 01 - 001	MLF8000
AA10-01-002	MLF8089

BPW	
OE PART NUMBER	MERITOR PART NUMBER
02.200.24.10.0	MLF8004
02.200.24.20.0	MLF8087
02.200.24.40.0	MLF8001
02.200.24.60.0	MLF8089
02.200.24.20.0	MLF8003
05.429.40.01.0	MLF8066
05.429.40.03.0	MLF8047
05.429.40.03.4	MLF8047
05.429.40.09.1	MLF8046
05.429.40.28.1	MLF8046
05.429.40.28.1	MLF8047
05.429.40.59.1	MLF8046
05.429.40.91.0	MLF8045
05.429.40.93.1	MLF8045
05.429.41.24.1	MLF8046
05.429.41.24.1	MLF8047
05.429.41.28.1	MLF8046
05.429.41.29.0	MLF8045
05.429.41.37.1	MLF8046
05.429.41.51.0	MLF8045
05.429.42.41.1	MLF8042
05.429.43.20.0	MLF8093
05.429.43.51.0	MLF8104
05.429.43.20.0	MLF8177
05.429.50.94.1	MLF8045
05.429.40.02.0	MLF8066
05.429.40.09.1	MLF8042
05.429.40.59.1	MLF8042
05.429.40.93.1	MLF8177





BPW	
OE PART NUMBER	MERITOR PART NUMBER
05.429.41.23.1	MLF8177
05.429.41.24.1	MLF8042
05.429.41.28.1	MLF8042
05.429.41.37.1	MLF8042
DAF	
OE PART NUMBER	MERITOR PART NUMBER
388491	MLF8026
578361	MLF8089
644425	MLF8001
683392	MLF8158
696229	MLF8001
0 578 361	MLF8087
0 638 148	MLF8003
0 644 425	MLF8087
0 659 561	MLF8158
0 689 677	MLF8001
1 384 273	21208082
3.229.2131.00	MLF8026
C81-1004	MAF9547
C81-1005	MAF9541
K-303-18	FS9617
K-303-19	FS9618
K-303-22	MAF9622
K-303-25	MAF9625
K-303-28	FS9675
US874131	21208082

DENNIS	
OE PART NUMBER	MERITOR PART NUMBER
611812	MLF8009
650292	MLF8004
650298	MLF8004
650883	MLF8004
650884	MLF8004
650887	MLF8004
611 896-12	MLF8009
656 289 / 2	MLF8008
656 300 / 2	MLF8010
DRÖGMÖLLER	
OE PART NUMBER	MERITOR PART NUMBER
440320200002-00	MLF8000
ERF	
OE PART NUMBER	MERITOR PART NUMBER
139275-4	MLF7115
143908-3	MLF8026
EVOBUS	
OE PART NUMBER	MERITOR PART NUMBER
307.328.0001	MLF8001
327.328.0001	MLF8001
356.327.0001	MLF8090
4.731.012.000	MLF8000



MANUFACTURER TO MERITOR



EVOBUS	
OE PART NUMBER	MERITOR PART NUMBER
4.731.013.000	MLF8087
4.731.031.000	MLF8000
4.771.143.000	MLF8001
4.771.170.000	MLF8001
4.771.427.000	MLF8000
A 000.327.0101	MLF8001
EVOTRAC	
OE PART NUMBER	MERITOR PART NUMBER
61.610	FS9439
FODEN TRUCKS	
OE PART NUMBER	MERITOR PART NUMBER
1300248000	MLF8113
FORD	
OE PART NUMBER	MERITOR PART NUMBER
1102-0022	FS7046
F6HT5C-06CAB	FS7201
FREIGHTLINER	
OE PART NUMBER	MERITOR PART NUMBER
16-11378-000	MAF7410
16-13810-000	MAF9780
18-29919-000	MAF7206
18-40977-000	MAF7215
18-45068-000	FS7201
681 320 0017	MAF9780

FRUEHAUF	
OE PART NUMBER	MERITOR PART NUMBER
268.0662.000	MLF8089
CF1524873-04	MAF9394
M060770	21222673
UCD-9393-2	MAF9394
UCE-9393-1	FS9130
UCE-9393-3	FS9130
UCE-9393-4	FS9130
GIGANT	
OE PART NUMBER	MERITOR PART NUMBER
1662266	MLF8003
19 60 35	MLF8087
HENDRICKSON	
OE PART NUMBER	MERITOR PART NUMBER
2-229-0002-0	21208082
49048-000	FS9466
49048-002	FS9466
49710-2880	MAF9373
50404-001	FS9287
50405-002	FS9287
50899-001	MAF9373
57122-002	MAF9373
57122-2	MAF9373
58849-002	MAF9373
59484-002	FS8971
59484-2	FS8971
60271-002	MAF9663
60271-2	MAF9663
65032-002	FS9654





HENDRICKSON	
OE PART NUMBER	MERITOR PART NUMBER
65032-2	FS9654
97101-001	MAF9373
B 2065	21208082
B 2066	MLF8114
B 3842	MLF7115
B 4771	MLF7112
B 6195	MLF7128
B-12514-008	MAF9122
B-12514-010	MAF9122
B-14249	MAF9321
B2063	MLF8026
C-20010	MLF8077
C-13122	FS9264
C-20124	MAF9265
C-20127	MAF9580
C-20413	MAF9265
C-20900	MAF8709
C-20901	MAF8091
C-21784	MAF8091
C-21800	MAF8709
C-25873	MAF8774
NA 1817	MLF7128
S11566	FS9010 *
S-11650	MAF9039
S-13122	FS9264
S-14318	MAF6935
S-20010	MAF9270
S-20124	MAF9265
S-20127	MAF9580
S-2064	MAF9039
S-23611	FS9646

HENDRICKSON	
OE PART NUMBER	MERITOR PART NUMBER
S-23612	MAF9645
S-23720	MAF9626
S-23721	MAF9644
S-26773	FS8614
S-2827	FS9010*
S-3467	MAF9122
S-3830	MAF9122
US874131	21208082
Y 505859/01	MLF8026
Y 507782	21222673
IKARUS	
OE PART NUMBER	MERITOR PART NUMBER
190.01	MLF8000
190.02	MLF8000
B 551040	MLF8155
IVECO	
OE PART NUMBER	MERITOR PART NUMBER
4746733	MLF8000
6453741	MLF8007
97108363	MLF8084
98445471	MLF8119
500301776	MLF8119
418 2227	MLF8000
445 6111	MLF8158
474 6733	MLF8000
476 3473	MLF8158
818 8539	MLF8084
93 197 594	MLF8090

* Remove Bolt





KÄSSBOHRER	
OE PART NUMBER	MERITOR PART NUMBER
4.731.012.000	MLF8000
4.731.013.000	MLF8087
4.731.031.000	MLF8000
4.731.033.000	MLF8026
4.771.110.000	MLF8001
4.771.143.000	MLF8001
4.771.170.000	MLF8001
4.771.359.000	MLF8001
4.771.427.000	MLF8000
4.771.440.000	MLF8000
4.771.441.000	MLF8001
KENWORTH	
OE PART NUMBER	MERITOR PART NUMBER
1102-0074	FS7064
C81-1004	MAF9547
C81-1005	MAF9541
K303-14	MAF9422
K303-15	MAF9422
K-303-16	MAF9616
K-303-18	FS9617
K-303-19	FS9618
K-303-22	MAF9622
K-303-25	MAF9625
K-303-28	FS9675
K303-6	MAF9422

LEYLAND	
OE PART NUMBER	MERITOR PART NUMBER
10904403	MLF8007
AAU2542	MLF8009
AAU2544	MLF8007
IC 3308	MLF8007
LINK MANUFACTURING	
OE PART NUMBER	MERITOR PART NUMBER
1102-0022	FS7046
1102-0074	FS7064
MACK	
OE PART NUMBER	MERITOR PART NUMBER
227QS33	FS7031
MAGIRUS-DEUTZ	
OE PART NUMBER	MERITOR PART NUMBER
2498667	MLF8000
0418 22247	MLF8000
0445 6111	MLF8158
536 905 265	MLF8001



MANUFACTURER TO MERITOR



MAN	
OE PART NUMBER	MERITOR PART NUMBER
81.43601.0092	MLF8013
81.43601.0093	MLF8013
81.43601.0094	MLF8013
81.43601.0095	MLF8085
81.43601.0097	MLF8085
81.43601.0099	MLF8013
81.43601.0100	MLF8013
81.43601.0102	MLF8085
81.43601.0103	MLF8013
81.43601.0104	MLF8012
81.43601.0105	MLF8085
81.43601.0106	MLF8084
81.43601.0108	MLF8084
81.43601.0109	MLF8012
81.43601.0111	MLF8012
81.43601.0113	MLF8158
81.43601.0114	MLF8003
81.43601.0115	MLF8158
81.43601.0116	MLF8003
81.43601.0117	MLF8158
81.43601.0120	MLF8012
81.43601.0121	MLF8013
81.43601.0125	MLF8012
81.43601.0126	MLF8085
81.43601.0132	MLF8013
81.43601.0138	MLF8085
81.43601.0140	MLF8012
81.43601.0150	MLF8012
90.43601.0144	MLF8000
90.83112.0144	MLF8004

MAN	
OE PART NUMBER	MERITOR PART NUMBER
81.43601.0017	MLF8001
81.43601.0018	MLF8089
81.43601.0032	MLF8013
81.43601.0033	MLF8004
81.43601.0036	MLF8004
81.43601.0037	MLF8004
81.43601.0049	MLF8087
81.43601.0051	MLF8089
81.43601.0052	MLF8087
81.43601.0053	MLF9009
81.43601.0056	MLF8003
81.43601.0057	MLF8003
81.43601.0058	MLF8003
81.43601.0059	MLF8158
81.43601.0060	MLF8158
81.43601.0061	MLF8158
81.43601.0065	MLF8013
81.43601.0066	MLF8084
81.43601.0067	MLF8013
81.43601.0068	MLF8084
81.43601.0069	MLF8084
81.43601.0070	MLF8013
81.43601.0075	MLF8158
81.43601.0076	MLF8003
81.43601.0078	MLF8158
81.43601.0079	MLF8003
81.43601.0081	MLF8158
81.43601.0082	MLF8003
81.43601.0083	MLF8158
81.43601.0090	MLF8158



MANUFACTURER TO MERITOR



MERCEDES-BENZ	
OE PART NUMBER	MERITOR PART NUMBER
000 327 01 01	MLF8001
307 327 01 01	MLF8001
307 328 01 01	MLF8003
307 327 0001	MLF8001
307328 0001	MLF8001
307 328 0101	MLF8004
356 327 0001	MLF8090
360 328 0101	MLF8004
363 328 0101	MLF8004
364 327 70 01	MLF8001
382 327 7101	MLF8087
387 328 0001	MLF8004
387 328 0101	MLF8004
A 000 328 01 01	MLF8119
A 363 229 00 01	MLF8158
A 363 328 00 01	MLF8158
A 658 328 00 01	MLF8084
A 699 328 01 01	MLF8013
A 942 320 01 21	MLF8108
A 942 320 02 21	MLF8109
A 946 328 14 01	21221307
MERITOR	
OE PART NUMBER	MERITOR PART NUMBER
21208082	21208082
21221307	21221307

MERITOR	
OE PART NUMBER	MERITOR PART NUMBER
21222239	21222239
21222442	21222442
21222663	21222663
21222673	21222673
21223269	21223269
21227742	21227742
21229214	21229214
2121 2549	21212549
2122 9455	21229455
MLF7122	21222673
MLF7130	21223269
MLF7184	21222663
NAVISTAR	
OE PART NUMBER	MERITOR PART NUMBER
1670073C-1	MAF9371
1686386C-1	MAF9371
2027911C-1	MAF9371
NEWAY	
OE PART NUMBER	MERITOR PART NUMBER
90557001	MAF9039
90557020	MAF9122
90557023	MAF9039
90557071	MAF9122
90557076	MAF9122
90557077	MAF9122
90557085	MAF9039





NEWAY	
OE PART NUMBER	MERITOR PART NUMBER
90557104	FS9264
90557117	MAF9921
90557118	FS9923
90557146	MAF9471
90557147	FS9472
90557152	FS9743
90557155	MAF9144
90557156	FS9936
90557157	MAF9935
90557182	MAF9471
90557212	MAF9471
90557215	FS9743
90557216	FS9504
90557270	FS8793
90557300	FS9936
90557301	MAF9935
90557006	MLF8114
90557027	MLF8114
90557033	MLF8114
90557037	MLF8114
90557054	MLF8114
90557075	MLF8114
90044701	MLF7115
905570043	MLF7115
90557008	MLF7115
905570082	MLF7115
90557009	MLF7115
90557086	MLF7128

RENAULT	
OE PART NUMBER	MERITOR PART NUMBER
2-229-0002-0	21208082
5.000.452.939	21208082
5.000.785.792	MLF8148
5.000.785.798	MLF8148
5.000.786.516	MLF8117
5.000.786.640	MLF8148
5.000.786.641	MLF8148
5.000.786.901	MLF8158
5.000.805.284	MLF8148
5.000.819.517	MLF8158
5.000.869.135	MLF8117
5.000.954.175	MLF8117
5.000.954.176	MLF8117
5.001.829.866	MLF8000
5.010.073.846	MLF8000
5.010.294.385	MLF8084
US874131	21208082
REYCO	
OE PART NUMBER	MERITOR PART NUMBER
12883-02	MAF9122
12884-01	MAF9223
12884-01A	MAF9223
12928-01	FS9010
18813-01	MAF7555
20018-01	MAF7555



MANUFACTURER TO MERITOR



RIDESTAR	
OE PART NUMBER	MERITOR PART NUMBER
21227742	21227742
RIDEWELL	
OE PART NUMBER	MERITOR PART NUMBER
1003588752C	FS8752
1003589010C	FS9010
1003589122C	MAF9122
1013589039C	MAF9039
SAE	
OE PART NUMBER	MERITOR PART NUMBER
8403/102	MLF8026
SAF	
OE PART NUMBER	MERITOR PART NUMBER
2.229.007.02	MLF8031
2-229-0002-0	21208082
2923V	MLF8028
3.228.0003.00	MLF8026
3.229.0005.01	21222673
3.229.0006.01	21222673
3.229.0013.00	21222673
3.229.0018.00	MLF8026
3.229.0029.00	MLF8031
3.229.0031.00	MLF8028
3.229.006.01	MLF8034
3.229.2131.0	MLF8028
3.229.2231.00	MLF8028

SAF	
OE PART NUMBER	MERITOR PART NUMBER
3.229.2431.00	MLF8028
4.229.1004.00	MLF8036
4.284.3003.01	MLF8135
4.284.3006.00	MLF8135
SCANIA	
OE PART NUMBER	MERITOR PART NUMBER
255293	MLF8034
255295	MLF8034
298568	MLF8034
325748	MLF8034
370227	MLF5101
393257	MLF5101
402315	MLF8008
411622	MLF8008
411623	MLF8008
411627	MLF8010
424626	MLF8009
434932	MLF8007
470920	MLF8141
470922	MLF8142
475149	MLF8144
492680	MLF8143
550365	MLF5101
934094	MLF8009
1107674	MLF8034
1116535	MLF5101
1117320	MLF5101
1117334	MLF5101





SCANIA	
OE PART NUMBER	MERITOR PART NUMBER
1314906	MLF8034
1331620	MLF5101
1331621	MLF5101
1331634	MLF5101
1331635	MLF5101
1340581	MLF5101
1348117	MLF5101
1348118	MLF5101
1348119	MLF5101
1348120	MLF5101
1348121	MLF5101
1362145	MLF8146
1372143	MLF8146
1379392	MLF8081
1381904	MLF5102
1381906	MLF5201
1381919	MLF5102
1386199	MLF8146
1397394	MLF5201
1397396	MLF5102
1397398	MLF5201
1397400	MLF5102
1402271	MLF5201
1435856	MLF5201

SCANIA	
OE PART NUMBER	MERITOR PART NUMBER
1435859	MLF5102
1440294	MLF8081
1440301	MLF8141
1440304	MLF8142
1440305	MLF8143
1440307	MLF8144
1476415	MLF5102
10.904.403	MLF8009
STERLING	
OE PART NUMBER	MERITOR PART NUMBER
18-45068-000	FS7201
STEYR	
OE PART NUMBER	MERITOR PART NUMBER
3.229.0024.00	21222673
TITAN	
OE PART NUMBER	MERITOR PART NUMBER
916 8770 0000	MLF8026





TRAILOR	
OE PART NUMBER	MERITOR PART NUMBER
003 6158 E	MLF8026
650234Y	MLF8026
VAN HOOL	
OE PART NUMBER	MERITOR PART NUMBER
3422596	MLF8089
624.319-640	MLF8003
624319-420	MLF8001
624319-600	MLF8001
624319-610	MLF8001
624319-614	MLF8003
624319-630	MLF8001
624319-640	MLF8087
624319-670	MLF8000
624319-690	MLF8000
624319-700	MLF8000
624319-710	MLF8148
624319-860	MLF8148
VOLVO	
OE PART NUMBER	MERITOR PART NUMBER
311277	MLF8078
1075290	MLF8082
1075291	MLF8082
1076416	MLF8151
1080707	21208082
1134445	MLF8001
1134446	MLF8003

VOLVO	
OE PART NUMBER	MERITOR PART NUMBER
1137882	MLF8000
1137888	MLF8000
1159842	MLF8085
1199873	MLF8001
1199893	MLF8001
1199893	MLF8001
1590136	MLF8001
1590136	MLF8004
1612455	MLF8117
1622111	MLF8001
1622111	MLF8001
1622115	MLF8082
1622116	MLF8026
1629193	MLF8004
1629719	MLF5203
1629724	MLF5203
3027271	MLF8086
3027272	MLF8011
3116354	MLF8009
3116983	MLF8007
3159252	MLF8001
3159253	MLF8000
3171692	MLF8154
3171694	MLF8181
3172984	MLF5203
6885533	MLF8158
8061151	FS9296
8169868	FS9296
20374510	MLF8151
20374511	MLF8170



MANUFACTURER TO MERITOR



VOLVO	
OE PART NUMBER	MERITOR PART NUMBER
20427800	MLF8154
20427801	MLF8181
20427803	MLF8154
20427804	MLF8181
20427897	MLF5200
20456150	MLF8154
20456152	MLF8151
20456154	MLF8181
20456156	MLF8170
20531984	MLF8154
20531985	MLF8151
20531986	MLF8181
20531987	MLF8170
20582206	MLF8154
20582209	MLF8181
20582214	MLF8170
20582215	MLF8151

VOLVO	
OE PART NUMBER	MERITOR PART NUMBER
31711695	MLF8170
3.112.775.291	MLF8078
US874131	21208082
WATSON & CHALIN	
OE PART NUMBER	MERITOR PART NUMBER
1003588752C	FS8752
AS-0012	MAF9039
AS-0036	MAF9321
AS-0044	FS9010
AS-0063	FS9264
YORK	
OE PART NUMBER	MERITOR PART NUMBER
785170	MLF8026





Meritor Heavy Vehicle Systems
50 Calarco Drive
DERRIMUT VIC 3026
Australia

Phone: (+61 3) 8353 6050
Fax: (+61 3) 8353 6060
Email: cvaau.sales@meritor.com

meritorpartsonline.com.au
meritor.com